

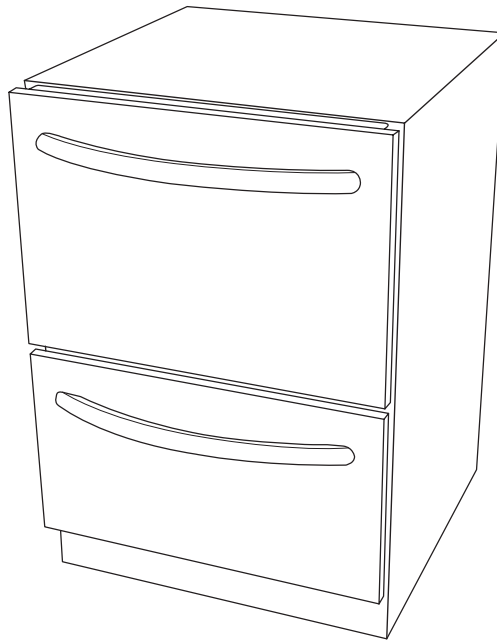


DRAWER DISHWASHER INSTALLATION INSTRUCTIONS

INSTRUCCIONES DE INSTALACIÓN DE LA LAVAVAJILLAS DE CAJÓN

INSTRUCTIONS D'INSTALLATION LAVE-VAISSELLE À TIROIR(S)

Table of Contents/Índice/Table des matières2



IMPORTANT:

Save for local electrical inspector's use.

Installer: Leave installation instructions with the homeowner.

Homeowner: Keep installation instructions for future reference.

IMPORTANTE:

Guarde para tenerlas a disposición del inspector de electricidad local.

Instalador: Deje las instrucciones de instalación con el propietario.

Propietario: Conserve las instrucciones de instalación para referencia futura.

IMPORTANT :

Conserver pour consultation par l'inspecteur local des installations électriques.

Installateur : Remettre les instructions d'installation au propriétaire.

Propriétaire : Conserver les instructions d'installation pour référence ultérieure.

TABLE OF CONTENTS

DISHWASHER SAFETY	3	Route Water Supply Line and Drain Hose	10
INSTALLATION REQUIREMENTS	4	Connect Water Supply Line and Drain Hoses	11
Tools and Parts	4	Make Electrical Connection.....	12
Location Requirements.....	5	Install Trim Pieces and Level Dishwasher	13
Water Supply Requirements.....	5	Secure Dishwasher.....	15
Electrical Requirements	6	Complete Installation	16
Drain Requirements	6	CUSTOM PANEL INSTALLATION INSTRUCTIONS	17
INSTALLATION INSTRUCTIONS	7	Custom Drawer Panel.....	17
Unpack Dish Drawer.....	7	Preparing Custom Panel	17
Prepare Cabinet Opening	7	Install Panel Fasteners.....	18
Prepare Dishwasher.....	8	Mount the Custom Panel.....	18
Route Electrical Wiring.....	9		

ÍNDICE

SEGURIDAD DE LA LAVAVAJILLAS	19	Cómo dirigir la línea de suministro de agua y la manguera de desagüe	26
REQUISITOS DE INSTALACIÓN	20	Conecte la línea de suministro de agua y las mangueras de desagüe	27
Piezas y herramientas.....	20	Conexión del suministro eléctrico	29
Requisitos de ubicación	21	Instale las piezas de adorno y nivele la lavavajillas.....	30
Requisitos del suministro de agua	21	Asegure la lavavajillas.....	32
Requisitos eléctricos.....	22	Complete la instalación	33
Requisitos de desagüe	22	INSTRUCCIONES DE INSTALACIÓN DEL PANEL A LA MEDIDA	34
INSTRUCCIONES DE INSTALACIÓN	23	Panel del cajón a la medida	34
Desempaque el cajón para platos.....	23	Preparación del panel a la medida.....	34
Prepare la abertura del armario.....	23	Cómo instalar los sujetadores del panel	35
Prepare la lavavajillas.....	24	Cómo montar el panel a la medida	35
Dirija el cableado eléctrico.....	25		

TABLE DES MATIÈRES

SÉCURITÉ DU LAVE-VAISSELLE	36	Raccordement du conduit d'alimentation en eau et des tuyaux de vidange	44
EXIGENCES D'INSTALLATION	37	Raccordement du circuit électrique	46
Outillage et composants.....	37	Installation des pièces de garniture; établissement de l'aplomb du lave-vaisselle	47
Exigences d'emplacement	38	Arrimage du lave-vaisselle.....	49
Spécifications de l'alimentation en eau.....	38	Achever l'installation	49
Spécifications électriques.....	39	INSTRUCTIONS D'INSTALLATION DU PANNEAU PERSONNALISÉ	50
Exigence d'évacuation.....	39	Panneaux des tiroirs personnalisés	50
INSTRUCTIONS D'INSTALLATION	40	Préparation du panneau personnalisé	51
Déballage du lave-vaisselle	40	Installation des dispositifs de fixation du panneau	51
Aménagement de la cavité d'encastrement du placard	40	Montage du panneau personnalisé.....	51
Préparation du lave-vaisselle.....	41		
Installation du câblage électrique.....	42		
Acheminement du conduit d'alimentation en eau et du tuyau de vidange.....	43		

DISHWASHER SAFETY

Your safety and the safety of others are very important.

We have provided many important safety messages in this manual and on your appliance. Always read and obey all safety messages.



This is the safety alert symbol.

This symbol alerts you to potential hazards that can kill or hurt you and others.

All safety messages will follow the safety alert symbol and either the word “DANGER” or “WARNING.”

These words mean:

⚠ DANGER

You can be killed or seriously injured if you don't immediately follow instructions.

⚠ WARNING

You can be killed or seriously injured if you don't follow instructions.

All safety messages will tell you what the potential hazard is, tell you how to reduce the chance of injury, and tell you what can happen if the instructions are not followed.

IMPORTANT SAFETY INSTRUCTIONS

WARNING: When using the dishwasher, follow basic precautions, including the following:

- Read all instructions before using the dishwasher.
- Use the dishwasher only for its intended function.
- Use only detergents or rinse agents recommended for use in a dishwasher, and keep them out of the reach of children.
- When loading items to be washed:
 - 1) Locate sharp items so that they are not likely to damage the door seal; and
 - 2) Load sharp knives with the handles up to reduce the risk of cut-type injuries.
- Do not wash plastic items unless they are marked “dishwasher safe” or the equivalent. For plastic items not so marked, check the manufacturer's recommendations.
- Do not touch the heating element during or immediately after use.
- Do not operate the dishwasher unless all enclosure panels are properly in place.
- Do not tamper with controls.
- Do not abuse, sit on, or stand on the door, lid, or dish racks of the dishwasher.
- To reduce the risk of injury, do not allow children to play in or on the dishwasher.
- Under certain conditions, hydrogen gas may be produced in a hot water system that has not been used for two weeks or more. **HYDROGEN GAS IS EXPLOSIVE.** If the hot water system has not been used for such a period, before using the dishwasher turn on all hot water faucets and let the water flow from each for several minutes. This will release any accumulated hydrogen gas. As the gas is flammable, do not smoke or use an open flame during this time.
- Remove the door or lid to the washing compartment when removing an old dishwasher from service or discarding it.

SAVE THESE INSTRUCTIONS



⚠ WARNING

Tip Over Hazard

Do not open dishwasher drawer until dishwasher is inside the cabinet opening.

If the dishwasher is not in the cabinet opening, slowly open the drawer while someone grasps the rear of the dishwasher.

Failure to follow these instructions can result in death or serious injury.

You need to:

- Slowly open dishwasher drawer while someone grasps the rear of the dishwasher. Remove shipping materials. Close dishwasher drawer. Latch the dishwasher drawer shut.
- Observe all governing codes and ordinances.
- Install this dishwasher as specified in these instructions.
- Have everything you need to properly install dishwasher.
- Contact a qualified installer to ensure that dishwasher is installed to meet all electrical and plumbing national and local codes and ordinances.

INSTALLATION REQUIREMENTS

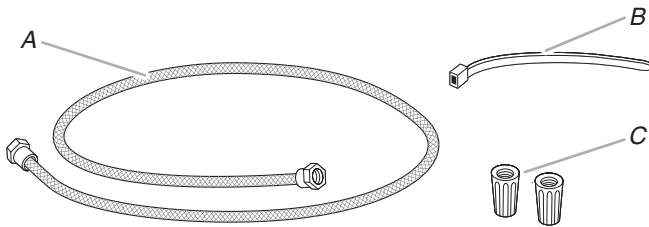
Tools and Parts

Gather the required tools and parts before starting installation. Read and follow the instructions provided with any tools listed here.

Tools Needed

- Pliers
- Phillips screwdriver
- Flat-blade screwdriver
- 3/16" and 1/4" nut drivers or hex sockets
- Measuring tape or ruler
- 1 1/2" hole saw bit
- 10" adjustable wrench
- Utility knife
- Level
- Cordless drill
- 1/8" drill bit
- Security T-20 TORX[†] driver (on some models)

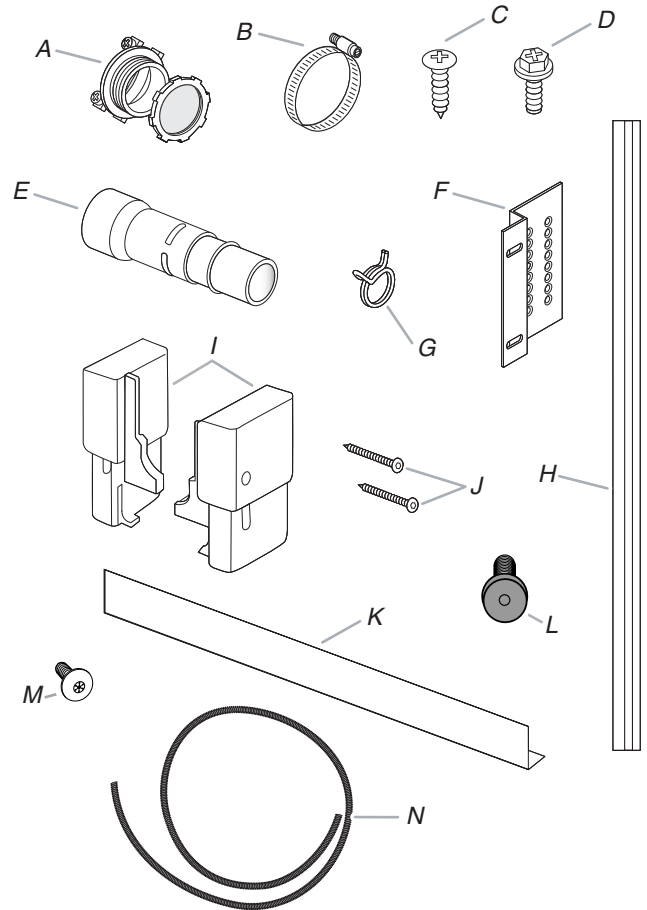
Parts Needed



A. 72" (182.9 cm) flexible water supply line
 B. Zip tie
 C. Appropriate sized UL Listed wire connectors (2)

Parts Supplied

Check that all parts are included.



A. 3/4" UL Listed/CSA Approved strain relief
 B. 1.25" hose clamp
 C. Mounting bracket screws (8)
 D. Unit mounting screws (4)
 E. Drain hose connector
 F. Mounting brackets (4)
 G. Drain connector spring clamps (2)
 H. Trim strips (2)
 I. Toe kick brackets (2)
 J. Toe kick bracket screws (2)
 K. Toe kick trim
 L. Panel fasteners (on some models) (2)
 M. TORX[†] screws (on some models) (10)
 N. Drain hose

[†]TORX is a registered trademark of Acument Intellectual Properties, LLC

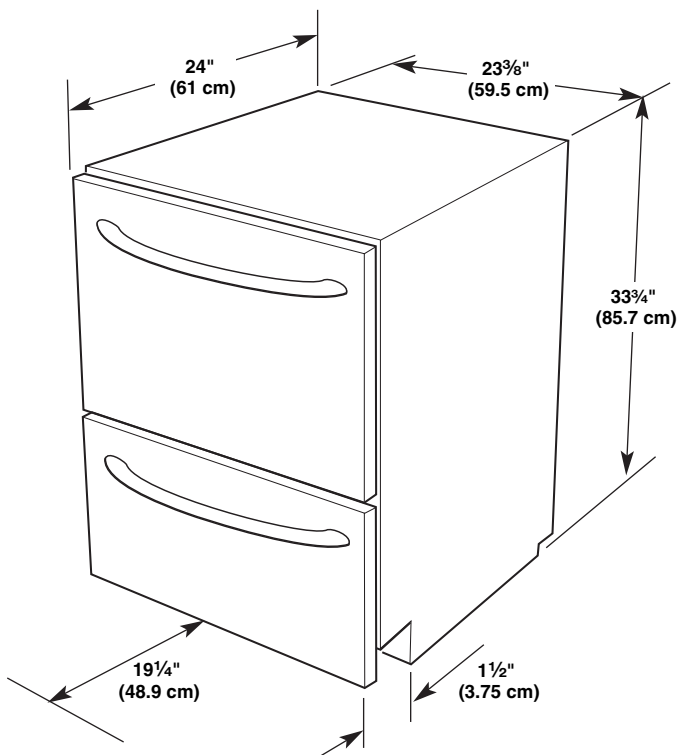
Location Requirements

IMPORTANT: Observe all governing codes and ordinances. Failure to meet codes and ordinances could lead to fire or electrical shock.

Proper installation is your responsibility.

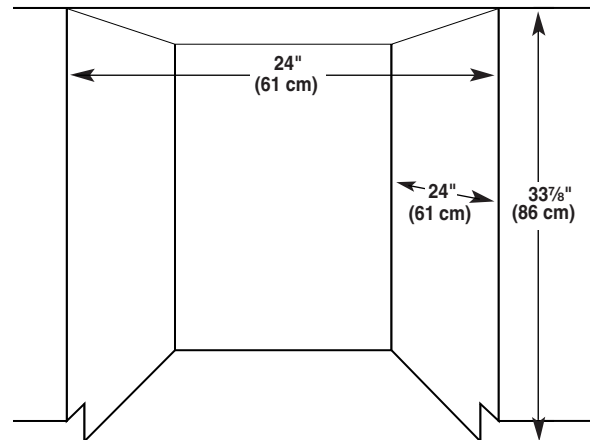
- Contact a qualified installer to ensure that the dishwasher is installed to meet all electrical and plumbing national and local codes and ordinances.
- Install the dishwasher as specified in these instructions.
- Have everything you need to properly install dishwasher.
- Avoid damage from freezing to dishwasher and water lines leading to dishwasher. Damage from freezing is not covered by the warranty.
- This dishwasher is manufactured for indoor use only.
- Install and level dishwasher on a floor that will hold the weight, and in an area suitable for its size and use.

Product Dimensions

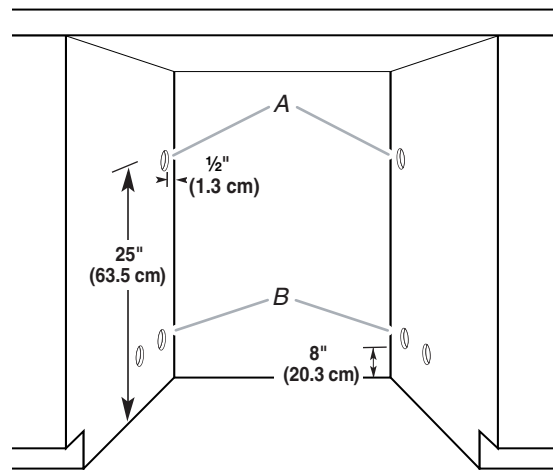


Installation Clearances

Cutout Dimensions



Preferred Utility Area



A. Left-hand or right-hand water connection route

B. Left-hand or right-hand electric connection and drain route

NOTE: All holes should be drilled at 1 1/2" (3.8 cm) diameter.

Water Supply Requirements

- A hot water line with 20 to 120 psi (138 to 862 kPa) water pressure.
- 120°F (49°C) water temperature at dishwasher.
- Flexible stainless steel braided fill line (1/2" minimum plastic tubing is not recommended).

Electrical Requirements

⚠ WARNING



Electrical Shock Hazard

Plug into a grounded 3 prong outlet.

Do not remove ground prong.

Do not use an adapter.

Do not use an extension cord.

Failure to follow these instructions can result in death, fire, or electrical shock.

GROUNDING INSTRUCTIONS

■ For a grounded, cord-connected dishwasher:

The dishwasher must be grounded. In the event of a malfunction or breakdown, grounding will reduce the risk of electric shock by providing a path of least resistance for electric current. The dishwasher is equipped with a cord having an equipment-grounding conductor and a grounding plug. The plug must be plugged into an appropriate outlet that is installed and grounded in accordance with all local codes and ordinances.

WARNING: Improper connection of the equipment-grounding conductor can result in a risk of electric shock. Check with a qualified electrician or service representative if you are in doubt whether the dishwasher is properly grounded. Do not modify the plug provided with the dishwasher; if it will not fit the outlet, have a proper outlet installed by a qualified electrician.

■ For a permanently connected dishwasher:

The dishwasher must be connected to a grounded metal, permanent wiring system, or an equipment-grounding conductor must be run with the circuit conductors and connected to the equipment-grounding terminal or lead on the dishwasher.

SAVE THESE INSTRUCTIONS

Contact a qualified electrician.

Ensure that the electrical installation is adequate and in conformance with all national and local codes and ordinances.

You must have:

- 120-volt, 60 Hz, AC-only, 15 or 20 amp fused electrical supply.
- Copper wire only.

We recommend:

- A time-delay fuse or circuit breaker.
- A separate circuit.

If direct wiring dishwasher:

- Use flexible, armored or nonmetallic sheathed, copper wire with grounding wire that meets the wiring requirements for your home and local codes and ordinances.
- Use strain relief method provided with house wiring junction box or install a UL Listed/CSA Approved clamp connector to the house wiring junction box. If using conduit, use a UL Listed/CSA Approved conduit connector.

If connecting dishwasher with a power supply cord:

- Use Power Supply Cord Kit (Part Number 4317824) marked for use with dishwashers. Kit contents include:
 - Voltex, Inc., UL Listed 16-gauge 3 wire power supply cord with 3 prong grounded plug.
 - Neer C-500 7/8" strain relief.
 - 3 wire connectors.
 - Part Number 302797 grommet.

Follow the kit instructions for installing the power supply cord.

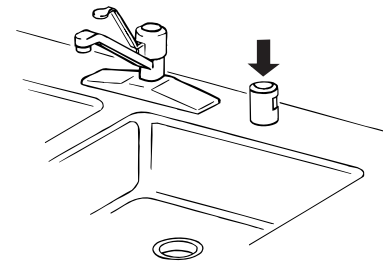
- Power supply cord must plug into a mating three prong, grounded outlet, located in the cabinet next to the dishwasher opening. Outlet must meet all local codes and ordinances.

IMPORTANT: If you plan to install a garbage disposer, an additional separate 120-volt, 60 Hz, AC-only, 15 or 20 amp fused electrical supply is required.

Drain Requirements

- Use the new drain hose supplied with your dishwasher. If this is not long enough, use a new drain hose with maximum length of 12 ft (3.7 m) that meets all current AHAM/IAPMO test standards, is resistant to heat and detergent, and fits the 1" (2.5 cm) drain connector of the dishwasher.
- Connect drain hose to waste tee or disposer inlet above drain trap in house plumbing and 20" (50.8 cm) minimum above the floor. It is recommended that the drain hose either be looped up and securely fastened to the underside of the counter, or be connected to an air gap.

Drain Air Gap



- Use a drain air gap if the drain hose is connected to house plumbing lower than 20" (50.8 cm) above the subfloor or floor.
- Use 1/2" (1.3 cm) minimum I.D. drain line fittings.

INSTALLATION INSTRUCTIONS

⚠ WARNING



Electrical Shock Hazard

Disconnect electrical power at the fuse box or circuit breaker box before installing dishwasher.

Failure to do so can result in death or electrical shock.

1. Disconnect power.
2. Turn off water supply.

Unpack Dish Drawer

⚠ WARNING

Excessive Weight Hazard

Use two or more people to move and install dishwasher.

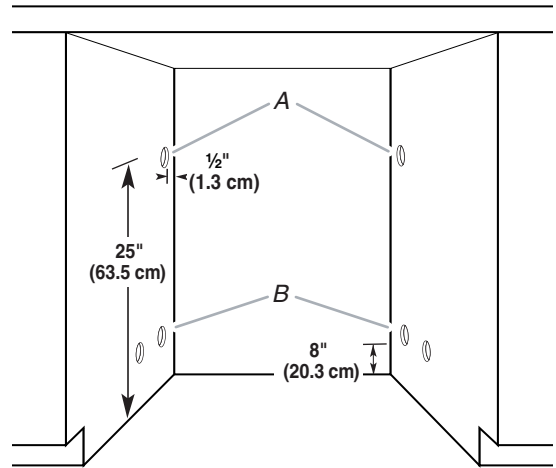
Failure to do so can result in back or other injury.

1. Read valuable information on exterior of shipping box before opening.
2. Remove shipping materials, tape and film from the dishwasher. Remove parts package from inside the dishwasher.

Prepare Cabinet Opening

1. To ensure minimum clearance dimensions exist:
 - Measure the distance from the cabinet countertop to the floor and ensure 33 $\frac{3}{4}$ " (85.7 cm) minimum height.
 - Measure the distance from the front of the cabinet to the back wall and ensure 24" (61 cm) minimum depth.
 - Measure the distance from the left-hand side to the right-hand side of opening and ensure 24" (61 cm) minimum width.

2. Drill 1 $\frac{1}{2}$ " (3.8 cm) diameter holes for drain and water hoses and electrical wiring as shown. Holes should be placed 1 $\frac{1}{2}$ " (1.3 cm) from back wall.



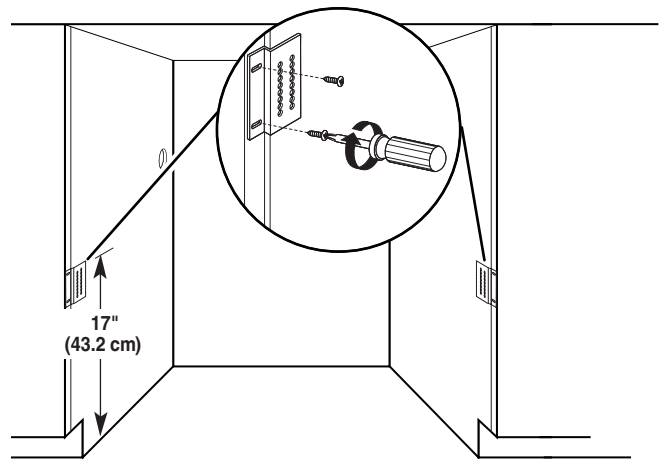
A. Choose left-hand or right-hand water hose route.

B. Choose left-hand or right-hand electric wire and drain route.

Wood cabinet: Sand the hole until smooth.

Metal cabinet: Cover hole with grommet (Part Number 302797, provided with cord kit).

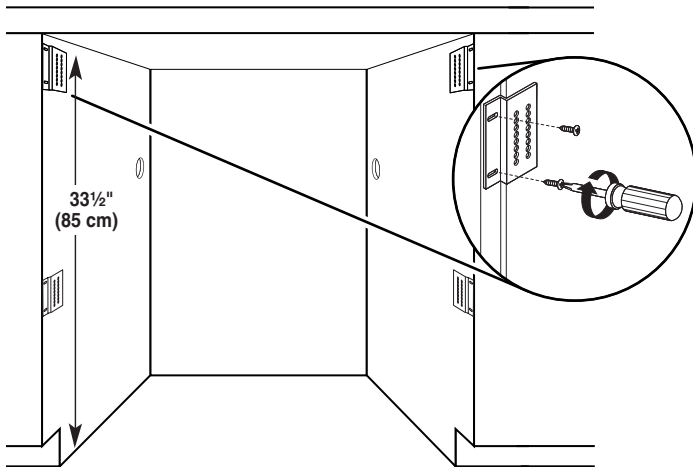
3. Install mounting brackets 17" (43.2 cm) from floor using screws provided. If needed, drill 1/8" pilot holes in cabinet.



4. Decide which dishwasher-to-counter attachment method will be used.

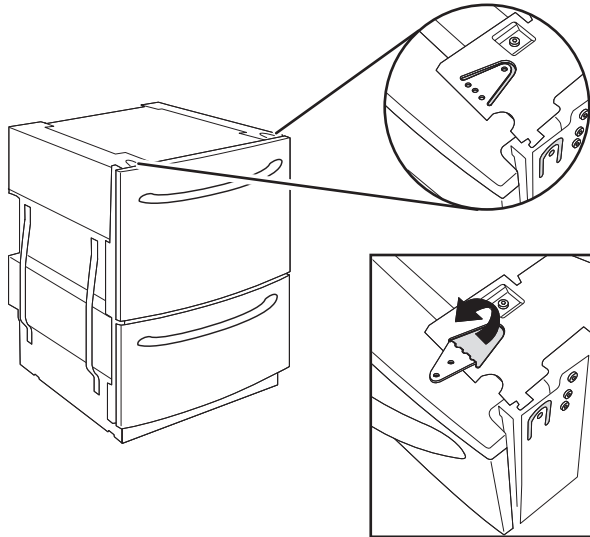
Option 1: Solid surface countertop installation

- Install second set of mounting brackets 33½" (85 cm) from floor. If needed, drill ⅛" pilot holes in cabinet.



Option 2: Wood countertop installation

- Prepare dishwasher by folding over tabs located on the top front as shown.



Prepare Dishwasher

⚠ WARNING



Tip Over Hazard

Do not open dishwasher drawer until dishwasher is inside the cabinet opening.

If the dishwasher is not in the cabinet opening, slowly open the drawer while someone grasps the rear of the dishwasher.

Failure to follow these instructions can result in death or serious injury.

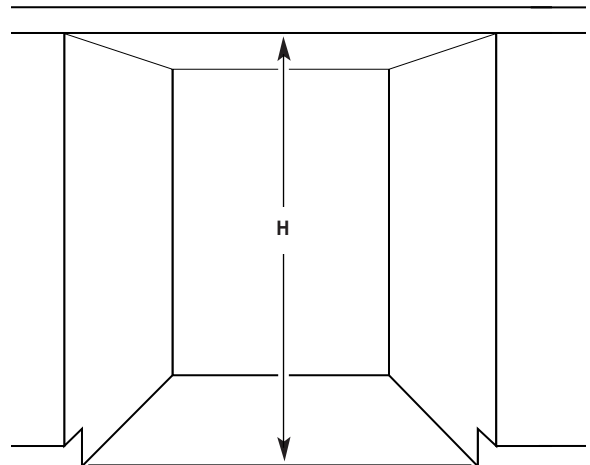
⚠ WARNING

Excessive Weight Hazard

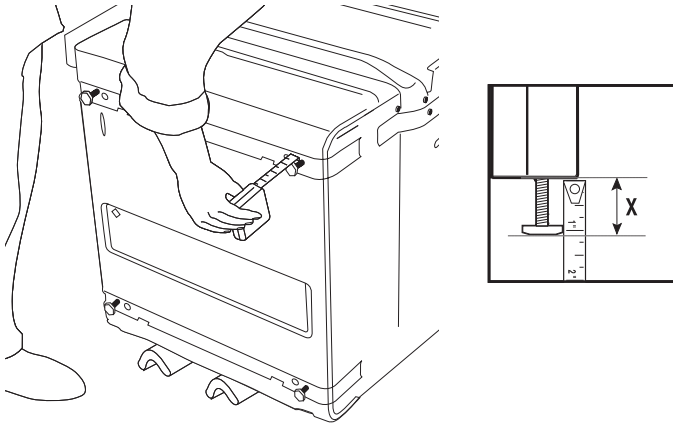
Use two or more people to move and install dishwasher.

Failure to do so can result in back or other injury.

1. Measure cabinet opening height from floor to bottom of countertop.



- Using two or more people, place corner packaging on the floor and place dishwasher on its back.
- Adjust leveling legs based on the cabinet opening measurement and the chart below.



H	: X	H	: X
33 7/8" (86 cm)	: 0"	34 1/2" (87.6 cm)	: 5/8" (1.6 cm)
34" (86.3 cm)	: 1/8" (0.3 cm)	34 5/8" (87.9 cm)	: 3/4" (1.9 cm)
34 1/8" (86.7 cm)	: 1/4" (0.6 cm)	34 3/4" (88.3 cm)	: 7/8" (2.2 cm)
34 1/4" (87 cm)	: 3/8" (1 cm)	34 7/8" (88.6 cm)	: 1" (2.5 cm)
34 3/8" (87.3 cm)	: 1/2" (1.3 cm)	35" (88.9 cm)	: 1 1/8" (2.9 cm)

- Place dishwasher in upright position.

Route Electrical Wiring

⚠ WARNING



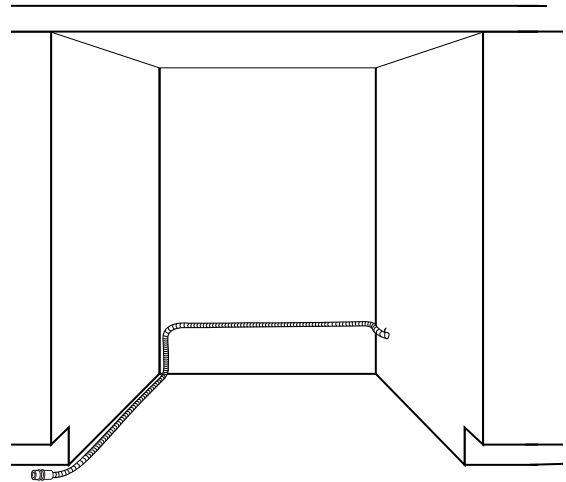
Electrical Shock Hazard

Disconnect electrical power at the fuse box or circuit breaker box before installing dishwasher.

Failure to do so can result in death or electrical shock.

Follow all national and local codes and ordinances for completing electrical supply to cabinet.

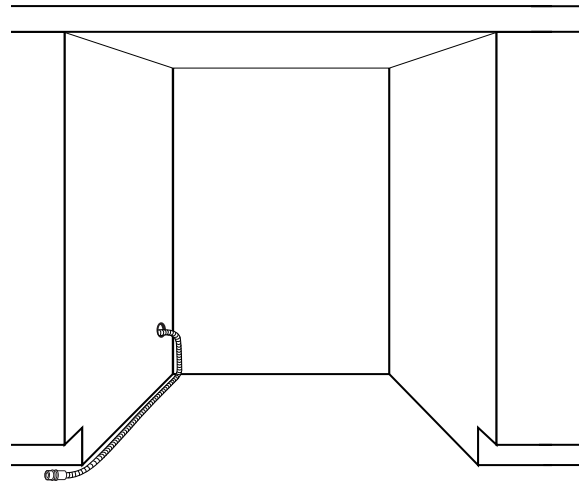
Option 1: Right-Hand Side Utility Route



Route wire through 1 1/2" (3.81 cm) hole located 8" (20.32 cm) above the floor.

After routing the electrical wire through the right-hand hole, attach the wire to back left-hand side of cabinet wall 8" (20.32 cm) above the floor. Then continue routing the wire along the left-hand side of cabinet opening to the front of the opening.

Option 2: Left-Hand Side Utility Route

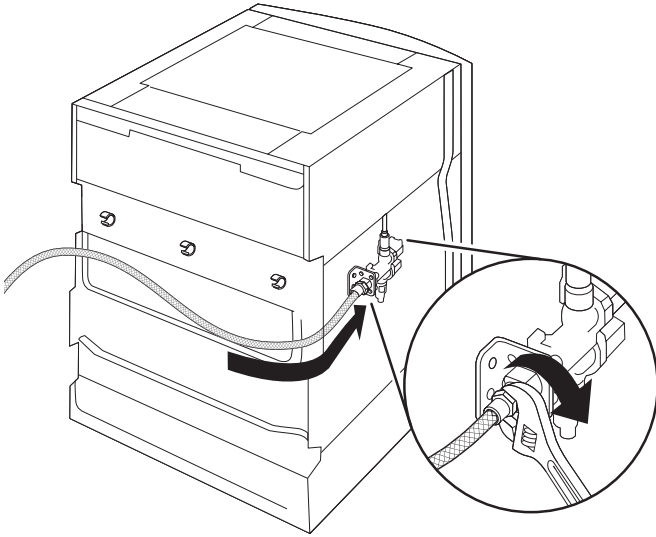


Route wire through 1 1/2" (3.81 cm) hole located 8" (20.32 cm) above the floor.

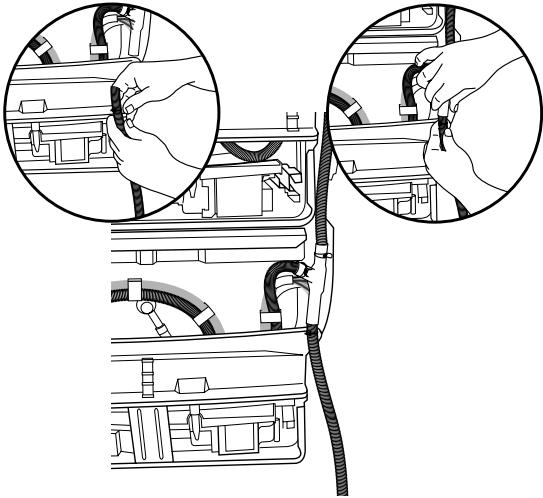
After routing the electrical wire through the left-hand hole, continue routing the wire along the left-hand side of cabinet to the front of the opening.

Route Water Supply Line and Drain Hose

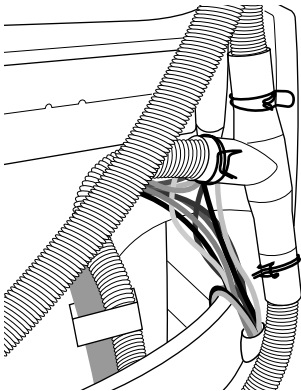
1. Connect water supply line to water valve on dishwasher.



2. Slide clamp onto drain hose, and then push hose into "Y" connector until fully seated. Several clicks will be heard.

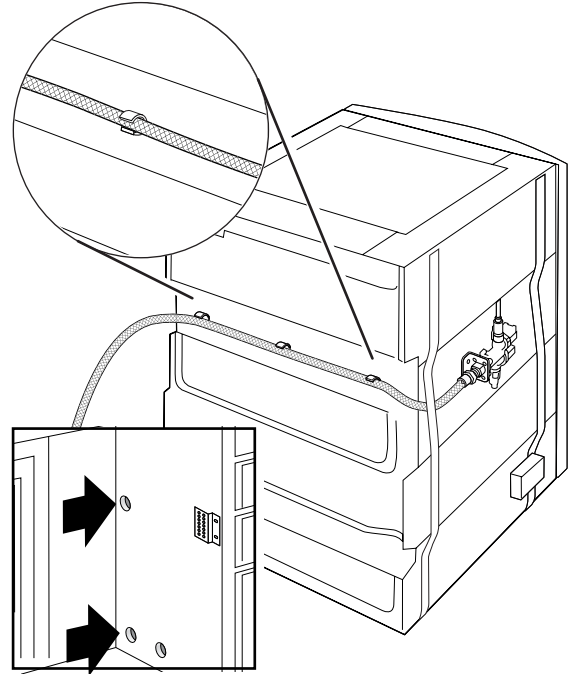


3. Slide clamp into position over the "Y" connector.

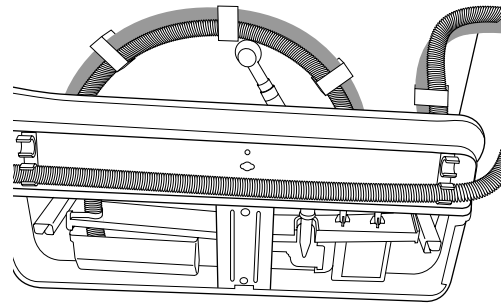


Option 1: Right-Hand Side Utility Access

- For right-hand routing, place the water supply line in the clips.

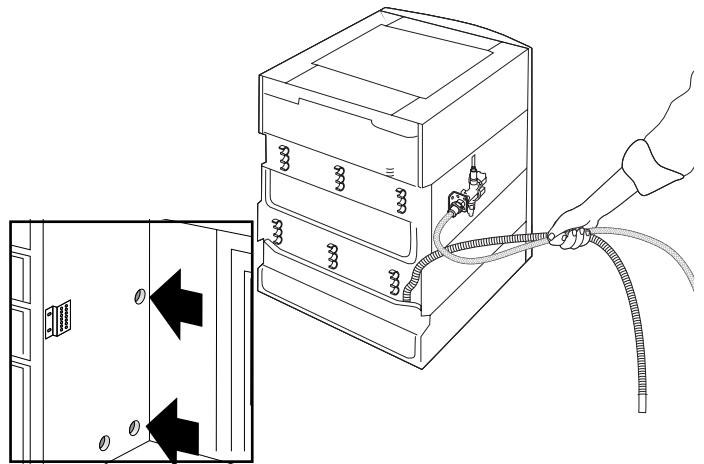


- Route drain hose on clips on bottom/back of unit.

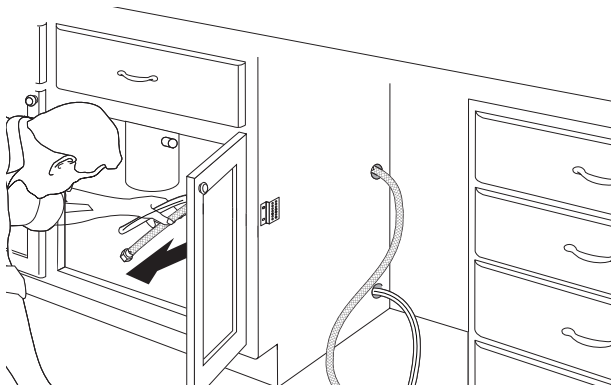


Option 2: Left-Hand Side Utility Access

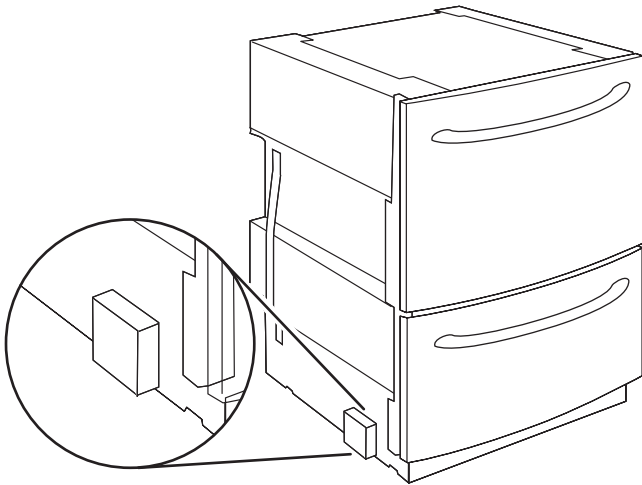
- For left-hand routing, place hose in clip on bottom right-hand side of the dishwasher.



- Route water supply line and drain hoses into the cabinet.

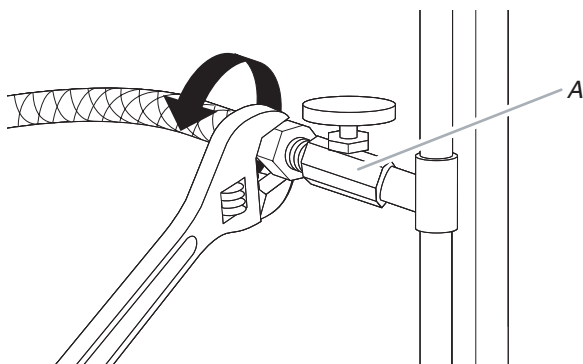


- Slide dishwasher partway into the cabinet opening. Allow for access to the electrical terminal box.



Connect Water Supply Line and Drain Hoses

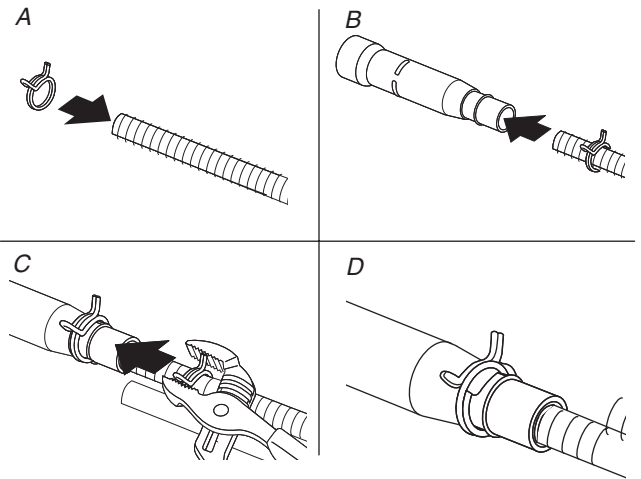
1. Connect water supply line to the water valve under the sink.



A. Hot water supply

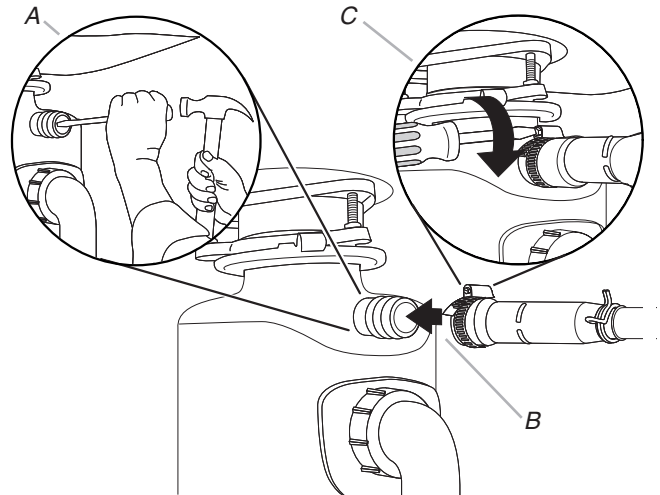
2. Slide clamps onto drain hoses (Figure A). Do not cut drain hoses.
3. Push hose into drain connector until fully seated (Figure B). Several "clicks" will be heard.

4. Slide clamp into position (figures C and D).



5. Connect the drain hose using one of the following options:

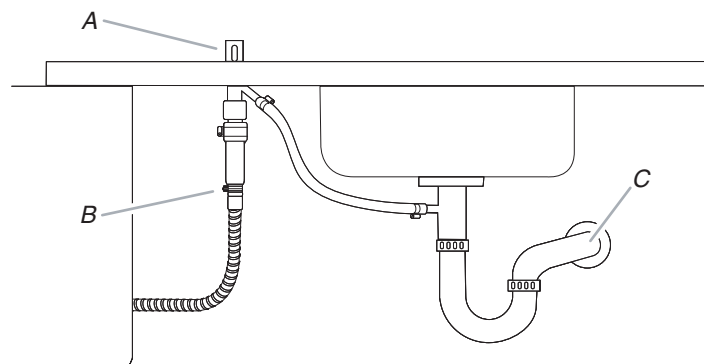
Option 1: Waste Disposer No Drain Air Gap



- A. For new construction, remove disposer plug.
- B. Connect drain connector to waste disposer.
- C. Tighten clamp.

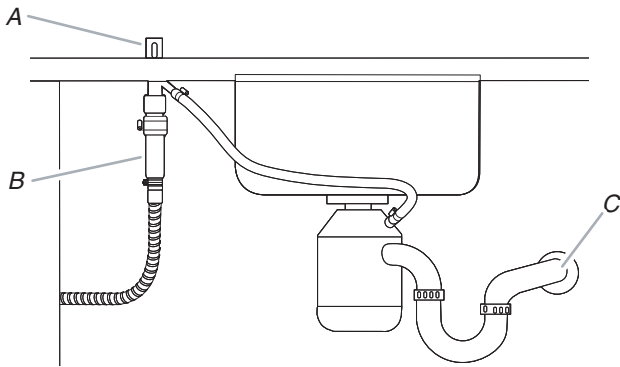
NOTE: This connection must be before the drain trap and at least 20" (50.8 cm) above the floor where the dishwasher will be installed. It is recommended that the drain hose be looped up and securely fastened to the underside of the counter.

Option 2: No Waste Disposer and Drain Air Gap



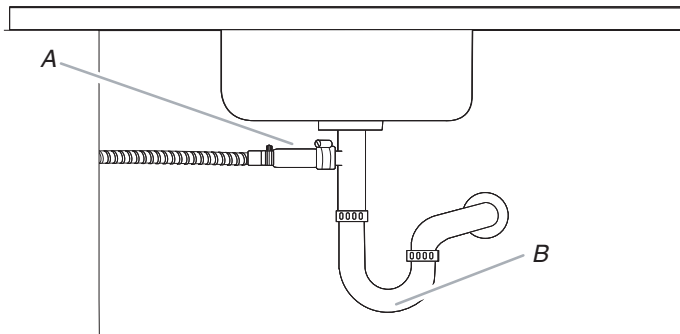
- A. Drain air gap
- B. Drain hose connector
- C. Waste

Option 3: Waste Disposer and Drain Air Gap



A. Drain air gap
B. Drain hose connector
C. Waste

Option 4: No Waste Disposer, No Drain Air Gap



A. Drain hose connector
B. Waste

NOTES:

- Attach the drain hose connector to the water waste line using the supplied hose clamp.
 - This connection must be before the drain trap and at least 20" (50.8 cm) above the floor where the dishwasher will be installed. It is recommended that the drain hose be looped up and securely fastened to the underside of the counter.
6. Turn on water and check for leaks.

Make Electrical Connection

⚠ WARNING

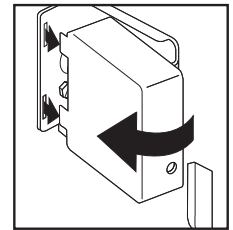
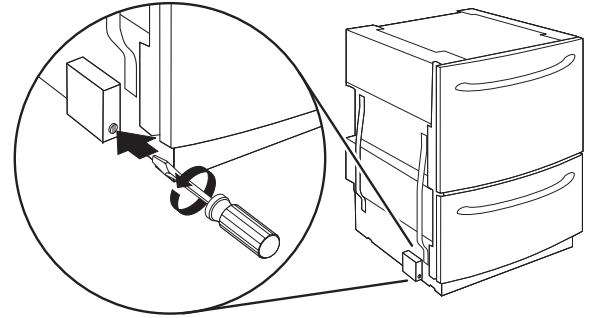


Electrical Shock Hazard

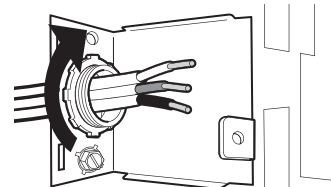
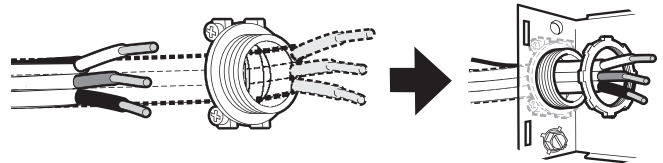
Disconnect electrical power at the fuse box or circuit breaker box before installing dishwasher.

Failure to do so can result in death or electrical shock.

1. Remove screw securing the electrical box cover. Remove cover.



2. Route electrical wires through strain relief and secure to electrical plate.



⚠ WARNING



Electrical Shock Hazard

Electrically ground dishwasher.

Connect ground wire to green ground connector in terminal box.

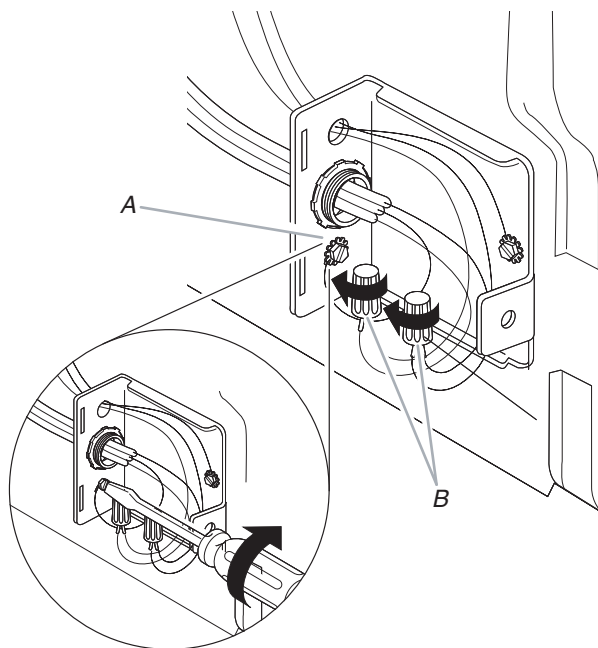
Do not use an extension cord.

Failure to follow these instructions can result in death, fire, or electrical shock.

3. Connect wires as follows using twist-on connectors sized to connect direct wire to 16-gauge dishwasher wire.

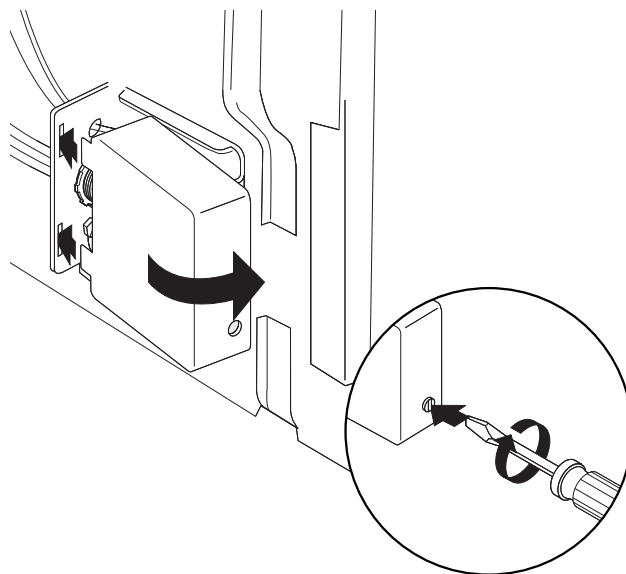
Power supply wire:		Terminal box wire:
white	↔	white
black	↔	black
ground wire	↔	ground connector

4. Attach ground wire to the green ground screw.



A. Attach ground wire to green screw.
B. Attach white and black wires.

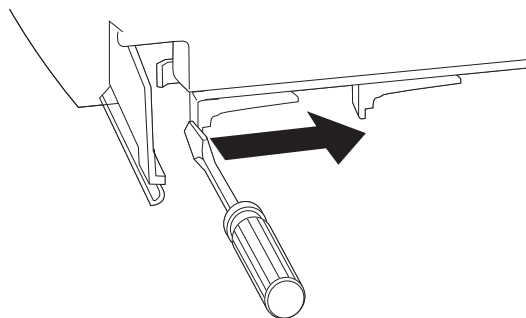
5. Reinstall electric box cover with all wires contained inside the terminal box.



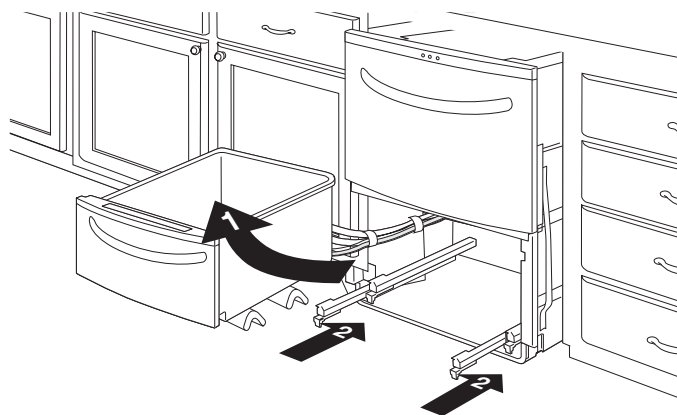
NOTE: Do not plug into outlet until instructed to do so.

Install Trim Pieces and Level Dishwasher

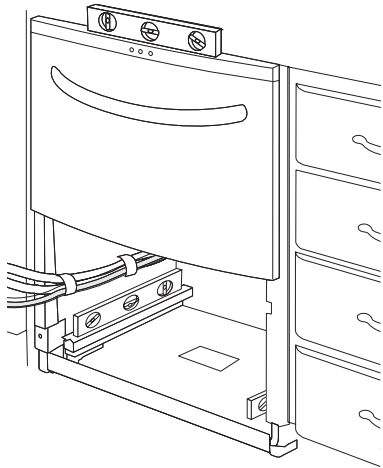
1. Open bottom drawer.
2. Push in clips and slide rails back 5" (12.7 cm).



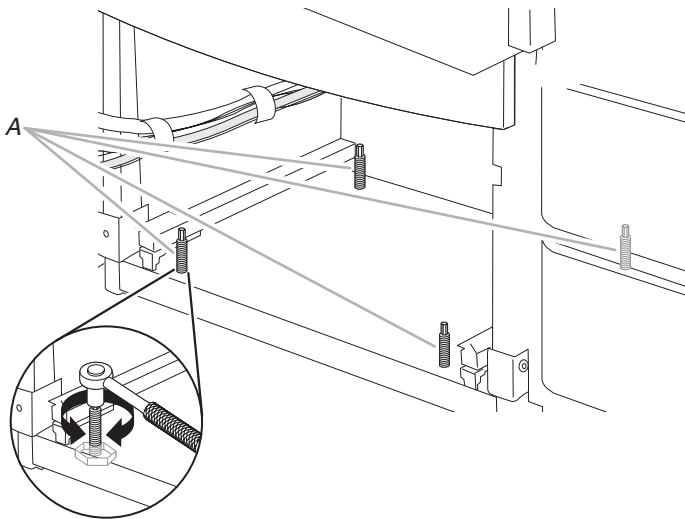
3. Lift drawer off slide rails. Place drawer off to the left on covering. Slide rails into dishwasher.



4. Slide the dishwasher into position in the cabinet opening. Check that the drain hose and electrical wiring are not kinked.
5. Check left to right level by placing the level on the top of the drawer. Check front to back level by placing level on the slide rails.

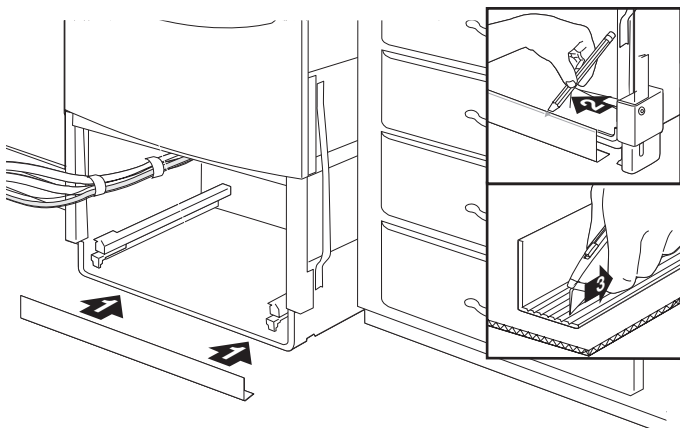


6. Adjust legs with a $\frac{3}{16}$ " socket wrench to level the dishwasher.

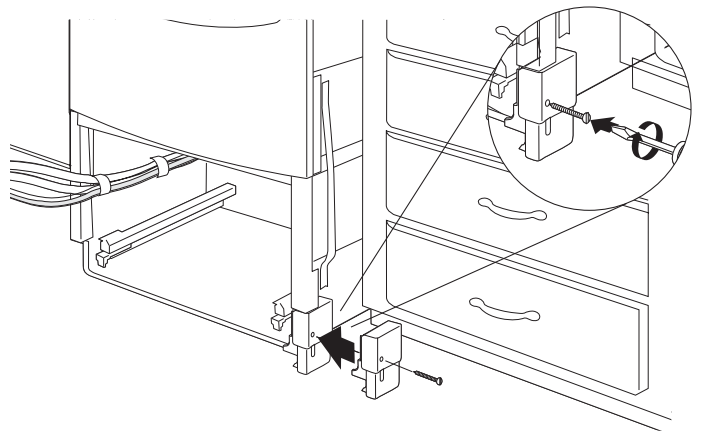


A. Adjust legs.

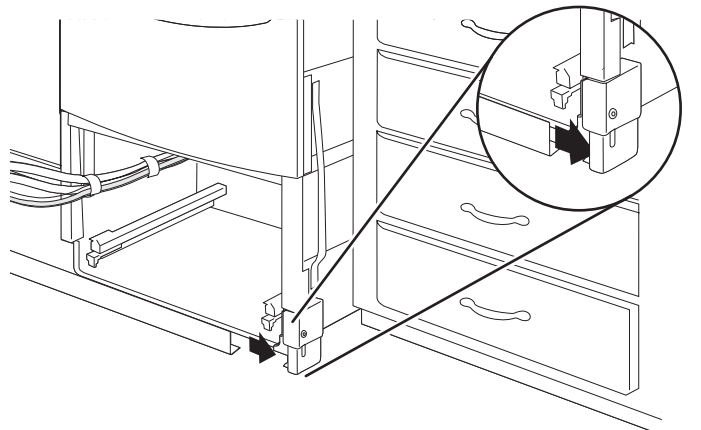
7. Rest the trim strip on the floor and mark the trim at the top of the frame flange height. Pick the closest groove to the mark. If the mark is between 2 grooves, choose the groove that makes the trim strip the shortest. On a covered surface, cut the trim strip at the selected groove. Pull dishwasher back out of cabinet opening about 6" (15.24 cm)



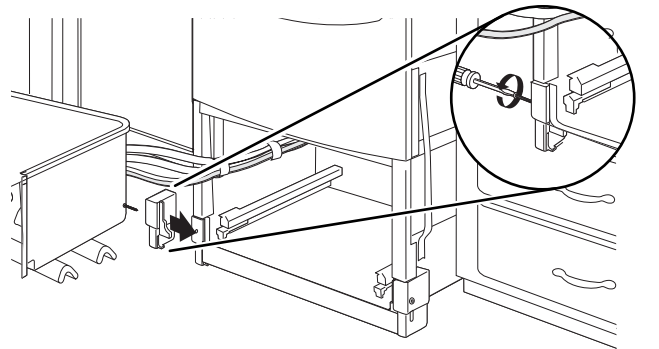
8. Attach the toe kick bracket to the frame.



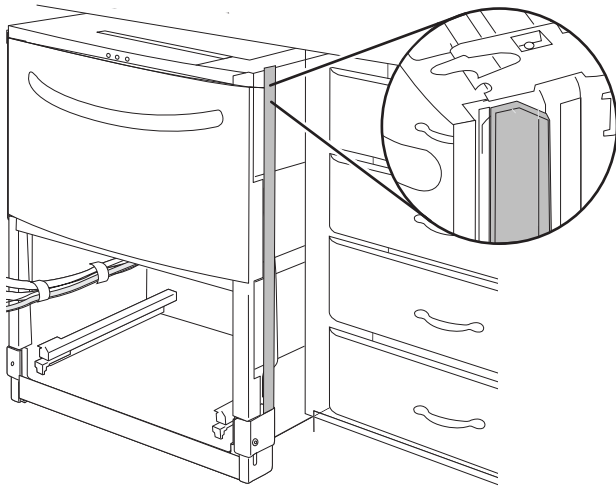
9. Place the trim strip into the toe kick bracket.



10. Attach the toe kick bracket on the opposite side.



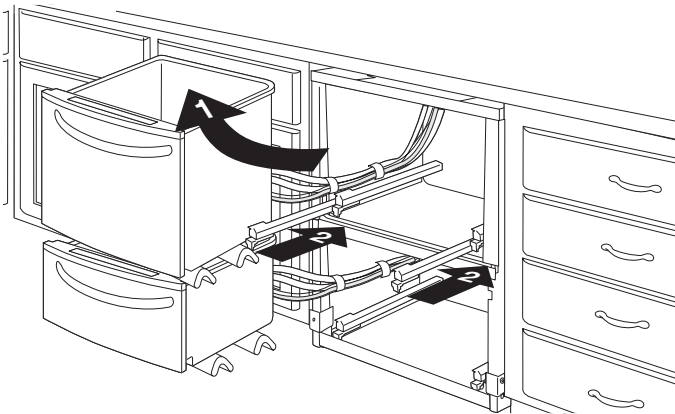
- Place the flexible side trim strips on both sides as shown.



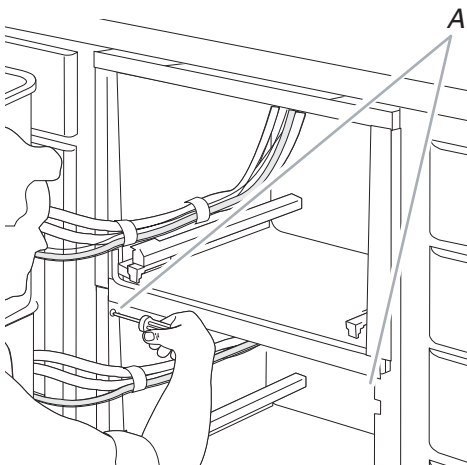
- Slide the dishwasher back into position in the cabinet opening. Check that the drain hose and electrical wiring are not kinked.

Secure Dishwasher

- Remove top drawer (same procedure as followed to remove bottom drawer) and set drawer on bottom drawer separated with corner packaging.



- Attach dishwasher to the lower cabinet mounting bracket (installed earlier).

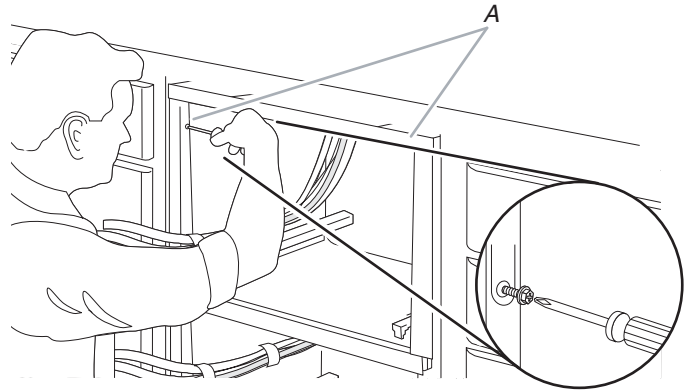


A. Attach dishwasher to lower cabinet mounting bracket.

- Attach dishwasher to upper cabinet mounting brackets.

Option 1: Solid surface countertop

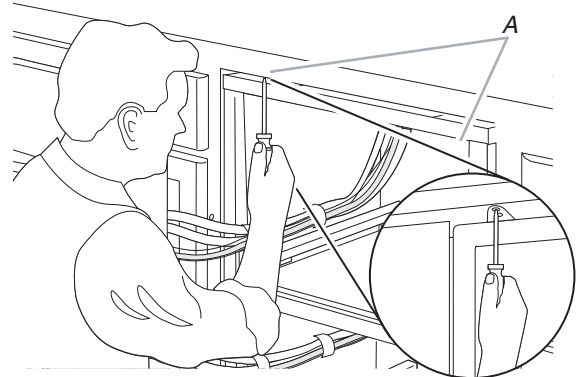
Attach dishwasher to the side cabinet mounting brackets (installed earlier).



A. Attach dishwasher to side cabinet mounting brackets.

Option 2: Wood countertop

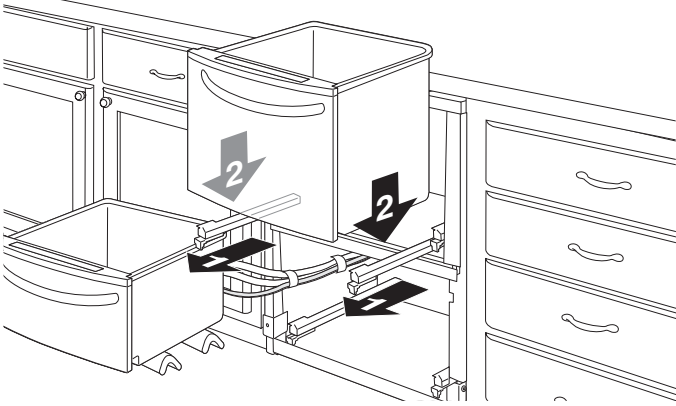
Attach the dishwasher to the countertop using the folded over mounting tabs located on the top of the dishwasher.



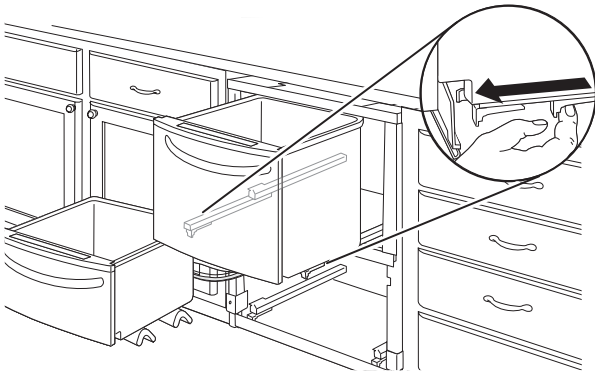
A. Attach dishwasher to countertop using folded over mounting tabs.

Complete Installation

1. Pull top drawer slide rails out and set top drawer on slide rails.



2. Pull slide rails forward until they snap into position.



3. Push top drawer in and repeat above steps for bottom drawer.

4. In the cabinet under the sink, coil excess drain hose and wrap with a zip tie.

⚠ WARNING



Electrical Shock Hazard

Plug into a grounded 3 prong outlet.

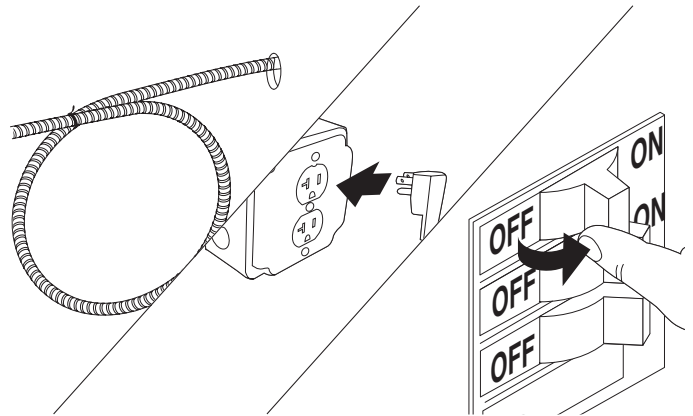
Do not remove ground prong.

Do not use an adapter.

Do not use an extension cord.

Failure to follow these instructions can result in death, fire, or electrical shock.

5. Plug in dishwasher or reconnect the power.



6. Select the Rinse Only cycle and press START/RESUME. Allow the dishwasher to fill, rinse and drain. Check for leaks. If leaks are found, secure the connection and repeat this step.

If you need Assistance or Service:

Please reference the "Assistance or Service" section of the User Instructions or contact the dealer from whom you purchased your dishwasher.

CUSTOM PANEL INSTALLATION INSTRUCTIONS

Custom Drawer Panel

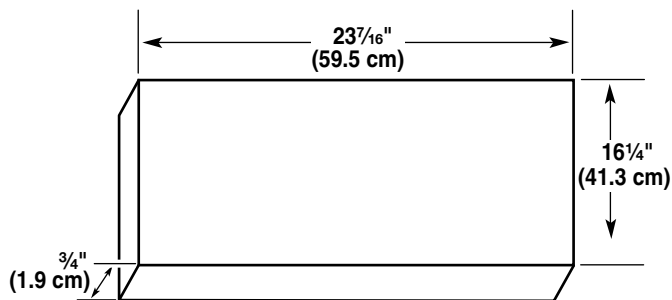
If you plan to install a custom wood panel, you will need to create the panel yourself or consult a qualified cabinetmaker or carpenter. See dimension drawings for panel specifications.

IMPORTANT:

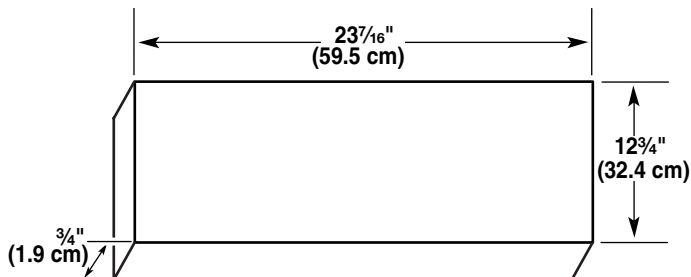
- The thickness of the custom panel must be $\frac{1}{2}$ " (1,3 cm) to $\frac{3}{4}$ " (1.9 cm).
- Do not exceed the height dimension for the custom panel. A panel that exceeds the height dimension may damage the drawer dishwasher, cabinets or countertop.
- The width of the custom panel may vary according to the width of the cabinet opening.

Custom Panel Dimensions

Upper Drawer Panel



Lower Drawer Panel

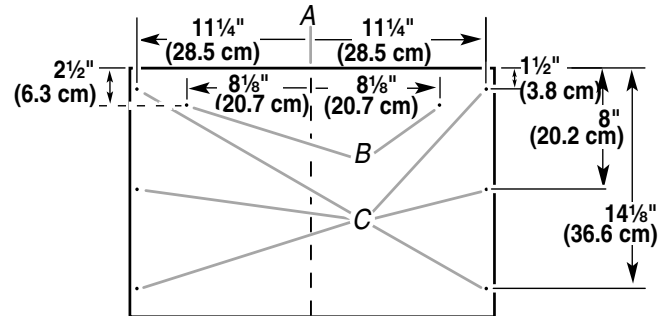


Hardware Installation

Center the hardware (left to right) onto the custom panel. When installing the hardware, be sure that the mounting screws are flush with the back of the custom panel.

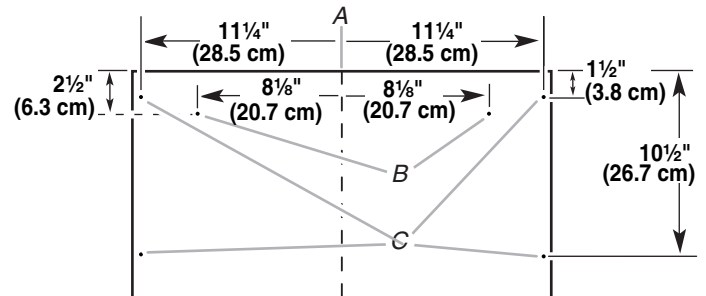
Preparing Custom Panel

1. Lay the custom panel face down on a clean, soft work surface.
2. Using a pencil, mark the centerpoints for the 2 panel fastener pilot holes and 6 pilot holes needed for the panel.



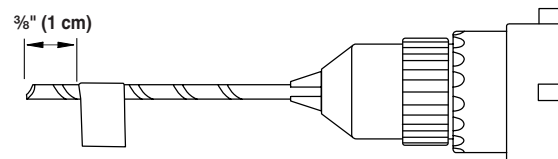
- A. Center line
- B. Panel fastener pilot holes (2)
- C. Pilot holes (6)

3. Mark the centerpoints for the 2 panel fastener pilot holes and 4 pilot holes need for the lower panel.



- A. Center line
- B. Panel fastener pilot holes (2)
- C. Pilot holes (4)

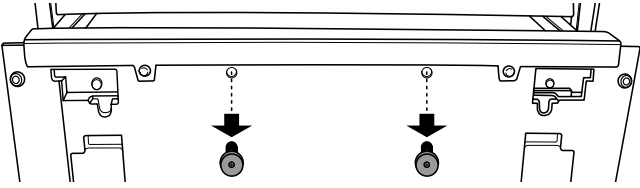
4. Using a $\frac{1}{8}$ " drill, drill each hole $\frac{3}{8}$ " (1 cm) deep.



IMPORTANT: To avoid drilling through to the front of the custom panel, do not drill deeper than $\frac{3}{8}$ " (1 cm).

Install Panel Fasteners

1. Remove the 2 panel fasteners from the face of the inner door of the drawer.

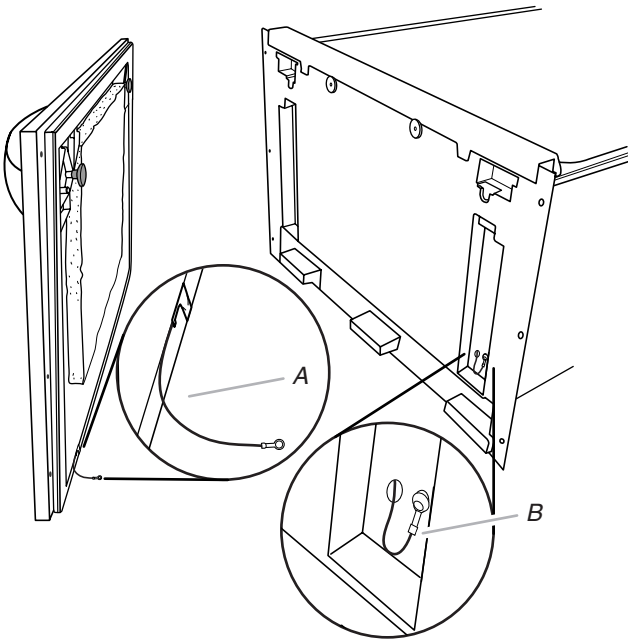


2. Screw the 2 panel fasteners into the panel fastener pilot holes of the custom panel.

Mount the Custom Panel

Custom Decorative Panel Only

1. Remove the tape from the green ground wire on the custom decorative panel. The end of the green ground wire is factory-attached to the custom decorative panel.
2. Attach the ring connector end of the green ground wire on the custom decorative panel to the ring connector and ground screw on the dishwasher drawer intermediate panel.

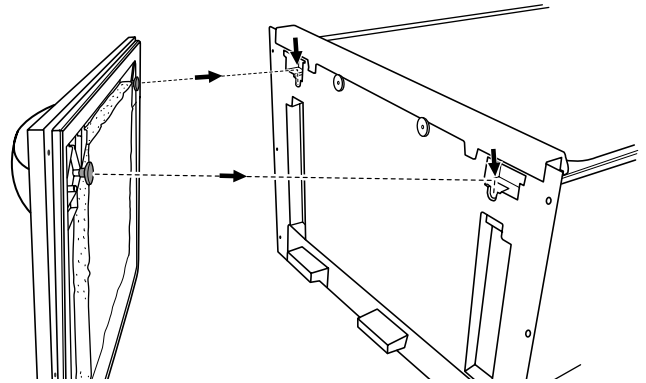


A. Green ground wire
B. Ground screw

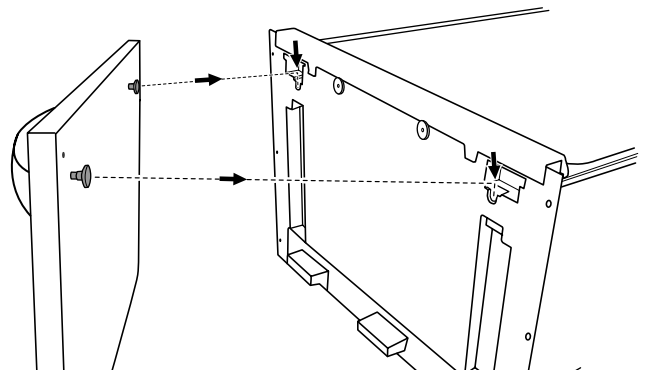
Custom Decorative Panel or Custom Wood Panel

1. Mount the custom panel to the drawer by aligning the panel fasteners to the 2 keyhole slots and insert the panel.

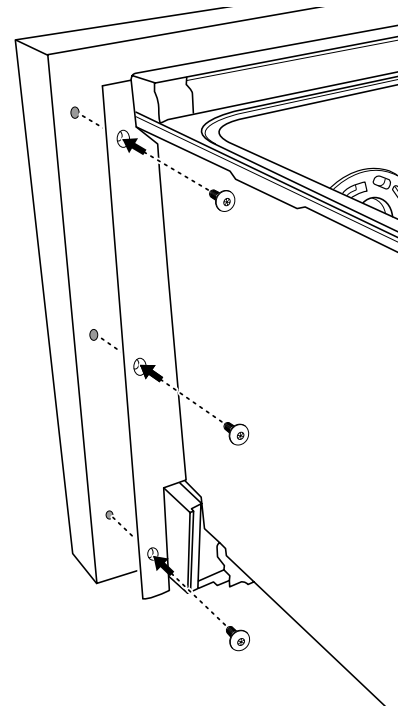
Custom Decorative Panel



Custom Wood Panel



2. To secure the custom panel onto the drawer, push the custom panel down until the top of the custom panel is flush with the top of the control panel.
3. Using the screws provided, secure the custom panel to the inner door by screwing through the inner door and into the 1/8" (3.2 mm) pilot holes.



SEGURIDAD DE LA LAVAVAJILLAS

Su seguridad y la seguridad de los demás es muy importante.

Hemos incluido muchos mensajes importantes de seguridad en este manual y en su electrodoméstico. Lea y obedezca siempre todos los mensajes de seguridad.



Este es el símbolo de advertencia de seguridad.

Este símbolo le llama la atención sobre peligros potenciales que pueden ocasionar la muerte o una lesión a usted y a los demás.

Todos los mensajes de seguridad irán a continuación del símbolo de advertencia de seguridad y de la palabra "PELIGRO" o "ADVERTENCIA". Estas palabras significan:

⚠ PELIGRO

Si no sigue las instrucciones de inmediato, usted puede morir o sufrir una lesión grave.

⚠ ADVERTENCIA

Si no sigue las instrucciones, usted puede morir o sufrir una lesión grave.

Todos los mensajes de seguridad le dirán el peligro potencial, le dirán cómo reducir las posibilidades de sufrir una lesión y lo que puede suceder si no se siguen las instrucciones.

INSTRUCCIONES IMPORTANTES DE SEGURIDAD

ADVERTENCIA: Cuando use la lavavajillas siga precauciones básicas, incluyendo las siguientes:

- Lea todas las instrucciones antes de usar la lavavajillas.
- Use la lavavajillas únicamente para las funciones que fue diseñada.
- Use únicamente detergentes o agentes de enjuague recomendados para ser usados en las lavavajillas y manténgalos fuera del alcance de los niños.
- Al introducir los artículos para lavar:
 - 1) Coloque los artículos puntiagudos de manera que no dañen el sello de la puerta
 - 2) Introduzca los cuchillos filosos con los mangos hacia arriba para reducir el riesgo de cortaduras.
- No lave artículos de plástico que no lleven la indicación "lavables en la lavavajillas" u otra similar. Lea las recomendaciones del fabricante para los artículos de plástico que no lleven tal indicación.
- No toque el elemento de calefacción durante o inmediatamente después de usar la lavavajillas.
- No haga funcionar la lavavajillas a menos que todos los paneles estén colocados debidamente en su lugar.
- No juegue con los controles.
- No abuse, ni se siente ni se pare sobre la puerta, la tapa o sobre las canastas de la lavavajillas.
- Para reducir el riesgo de lesión, no permita que los niños jueguen dentro ni sobre la lavavajillas.
- Bajo ciertas condiciones, un sistema de agua caliente que no ha sido usado por dos semanas o más puede producir gas hidrógeno. **EL GAS HIDRÓGENO ES EXPLOSIVO.** Si el sistema de agua caliente no ha sido usado por ese período, abra todas las llaves de agua caliente y deje que corra el agua por varios minutos antes de usar la lavavajillas. Esto permitirá que los gases acumulados escapen. Debido a que el gas es inflamable, no fume ni encienda ninguna llama abierta durante este tiempo.
- Quite la puerta o la tapa del compartimiento de lavado cuando remueva o deje de usar para siempre una vieja lavavajillas.

GUARDE ESTAS INSTRUCCIONES

⚠ ADVERTENCIA

Peligro de Vuelco

No abra el cajón de la lavavajillas hasta que la misma esté dentro de la abertura del armario.

Si la lavavajillas no está dentro de la abertura del armario, abra lentamente el cajón mientras alguien sostiene la parte posterior de la lavavajillas.

No seguir estas instrucciones puede ocasionar la muerte o heridas serias.



Usted necesita:

- Abrir despacio el cajón de la lavavajillas mientras otra persona agarra la parte posterior de la lavavajillas. Quite el material de transporte. Cierre el cajón de la lavavajillas. Asegure el cajón de la lavavajillas.
- Observar todos los códigos y reglamentos aplicables.
- Instalar esta lavavajillas como se especifica en estas instrucciones.

- Tener todo lo necesario para instalar la lavavajillas adecuadamente.

- Ponerse en contacto con un instalador calificado para asegurarse de que la lavavajillas haya sido instalada de manera que cumpla con todos los códigos y ordenanzas eléctricos y de plomería nacionales y locales.

REQUISITOS DE INSTALACIÓN

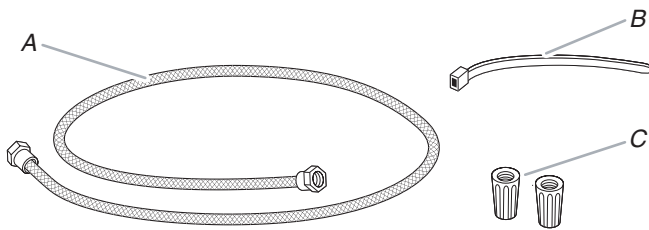
Piezas y herramientas

Reúna las herramientas y piezas necesarias antes de comenzar la instalación. Lea y siga las instrucciones provistas con cualquiera de las herramientas enlistadas aquí.

Herramientas necesarias

- Pinzas
- Destornillador Phillips
- Destornillador de hoja plana
- Llave de tuercas o llave de tubo hexagonal de $\frac{3}{16}$ " y $\frac{1}{4}$ "
- Cinta de medir o regla
- Broca de sierra perforadora
- Llave de tuercas ajustable de 10"
- Cuchillo para uso general
- Nivel
- Taladro inalámbrico
- Broca de $\frac{1}{8}$ "
- Destornillador de seguridad T-20 TORX^{®†} (en algunos modelos)

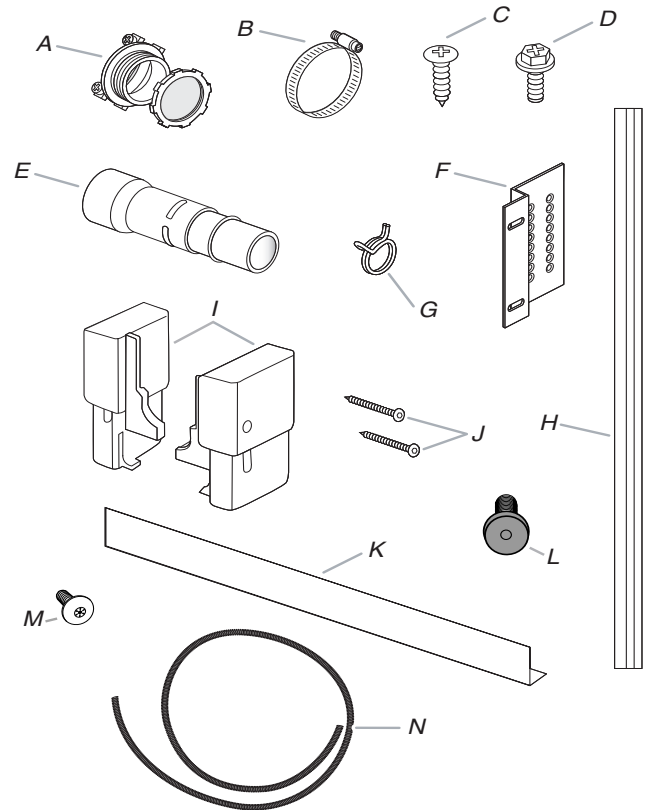
Piezas necesarias



- A. Línea de suministro de agua flexible de 72" (182,9 cm)
 B. Atadura
 C. Conectores de tamaño apropiado para cables que se encuentren en la lista de UL (2)

Piezas suministradas

Verifique que estén todas las piezas.



- A. Protector de cables de $\frac{3}{4}$ " que esté en la lista de UL/certificado por CSA
 B. Abrazadera para manguera de 1,25"
 C. Tornillos para los soportes de montaje (8)
 D. Tornillos de montaje para la unidad (4)
 E. Conector de la manguera de desagüe
 F. Soportes de montaje (4)
 G. Abrazaderas tipo resorte para el conector del desagüe (2)
 H. Tiras de adorno (2)
 I. Soportes para la cubierta protectora (2)
 J. Tornillos para el soporte de la cubierta protectora (2)
 K. Adorno para la cubierta protectora
 L. Sujetadores para panel (en algunos modelos) (2)
 M. Tornillos TORX^{®†} (en algunos modelos) (10)
 N. Manguera de desagüe

†©TORX es una marca registrada de Acument Intellectual Properties, LLC

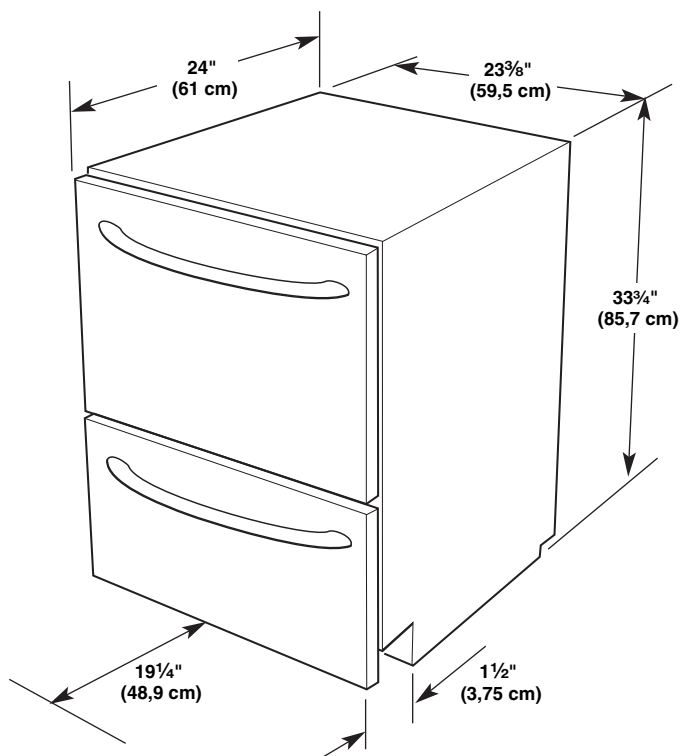
Requisitos de ubicación

IMPORTANTE: Observe todos los códigos y reglamentos aplicables. Si no se siguen los códigos y ordenanzas, esto podría hacer que se produzca un incendio o choque eléctrico.

La instalación correcta es su responsabilidad.

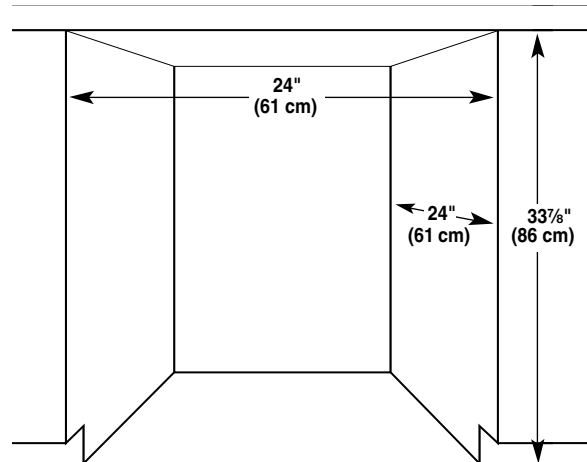
- Póngase en contacto con un instalador calificado para asegurarse que la lavavajillas haya sido instalada de manera que cumpla con todos los códigos y ordenanzas eléctricos y de plomería nacionales y locales.
- Instale la lavavajillas como se especifica en estas instrucciones.
- Tenga todo lo necesario para instalar la lavavajillas adecuadamente.
- Evite los daños ocasionados por congelamiento a la lavavajillas y a las líneas de agua que van a la misma. Los daños ocasionados por congelamiento no están cubiertos bajo la garantía.
- Esta lavavajillas fue fabricada únicamente para uso en interiores.
- Instale y nivele la lavavajillas en un piso que pueda soportar su peso y en un área adecuada para su tamaño y uso.

Medidas del producto

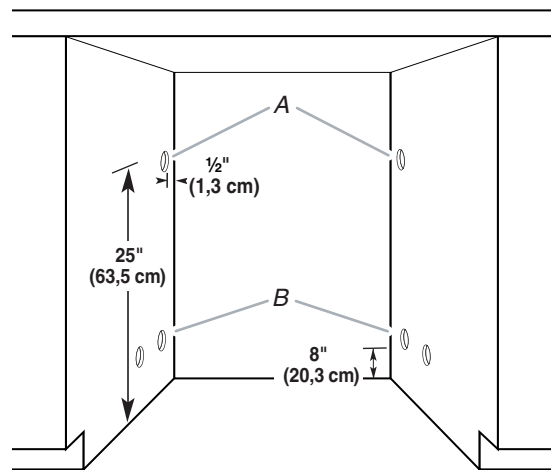


Espacios libres para la instalación

Dimensiones de corte



Área de servicio preferida



A. Elija una ruta hacia la derecha o hacia la izquierda para la conexión del agua.

B. Elija una ruta hacia la derecha o hacia la izquierda para la conexión eléctrica y del desagüe.

NOTA: Todos los orificios deben ser taladrados con un diámetro de 1¹/₂" (3,8 cm).

Requisitos del suministro de agua

- Una tubería de agua caliente con presión de agua de 20 a 120 lb/pulg² (138 a 862 kPa).
- Temperatura del agua en la lavavajillas de 120°F (49°C).
- Línea de llenado flexible trenzada (no se recomienda una tubería de plástico de un mínimo de 1/2").

Requisitos eléctricos

⚠ ADVERTENCIA



Peligro de Choque Eléctrico

Conecte a un contacto de pared de conexión a tierra de 3 terminales.

No quite la terminal de conexión a tierra.

No use un adaptador.

No use un cable eléctrico de extensión.

No seguir estas instrucciones puede ocasionar la muerte, incendio o choque eléctrico.

INSTRUCCIONES DE CONEXIÓN A TIERRA

■ Para una lavavajillas con cable eléctrico y conexión a tierra:

La lavavajillas debe estar conectada a tierra. En caso de funcionamiento defectuoso o avería, la conexión a tierra reduce el riesgo de choque eléctrico al establecer una ruta de menor resistencia para la corriente eléctrica. La lavavajillas viene equipada con un cable eléctrico que tiene un conductor para conexión a tierra y un enchufe con conexión a tierra. El enchufe debe ser conectado a un contacto apropiado que esté instalado y conectado a tierra de acuerdo con todos los códigos y ordenanzas locales.

ADVERTENCIA: La conexión inadecuada del conductor de conexión a tierra puede resultar en riesgo de choque eléctrico. Pregunte a un electricista calificado o a un agente de servicio si no está seguro si la lavavajillas está adecuadamente conectada a tierra. No modifique el enchufe que viene con la lavavajillas. Si no cabe en el contacto, pida que un electricista calificado instale un contacto apropiado.

■ Para lavavajillas con conexión permanente:

Esta lavavajillas debe estar conectada a un sistema de cableado de metal permanente, conectado a tierra, o se debe tender un conducto para la conexión a tierra del equipo con los conductores de circuito y conectado a la terminal de tierra del equipo o al conductor de suministro de la lavavajillas.

GUARDE ESTAS INSTRUCCIONES

Póngase en contacto con un electricista calificado.

Asegúrese que la conexión eléctrica sea adecuada y de conformidad con todos los códigos y ordenanzas locales y nacionales.

Usted debe tener:

- Un suministro eléctrico de 120 voltios, 60 hertzios, CA solamente, de 15 ó 20 amperios y protegido con fusible.
- Solamente alambre de cobre.

Recomendamos:

- Un fusible retardador o un cortacircuitos.
- Un circuito separado.

Si va a hacer un cableado directo para la lavavajillas:

- Use alambre de cobre blindado flexible o forrado no metálico con el alambre de puesta a tierra, el cual cumpla con los requisitos de cableado para su casa y con los códigos y ordenanzas locales.
- Use el método de protector de cables provisto con la caja de empalmes del cableado de la casa, o instale un conector tipo abrazadera que esté en la lista de UL/certificado por CSA, a la caja de empalmes del cableado de la casa. Si va a usar un conducto, utilice un conector de conducto que esté en la lista de UL/certificado por CSA.

Si va a conectar la lavavajillas con un cable de suministro eléctrico:

- Use el juego del cable de suministro eléctrico (pieza N° 4317824), que esté marcado para usarse con lavavajillas. El juego incluye:
 - Cable de suministro eléctrico de 3 hilos, calibre 16, en la lista de UL, marca Voltex, Inc. con un enchufe con conexión a tierra de 3 hilos.
 - Protector de cables marca Neer C-500 de 7/8"
 - Conectores para 3 hilos.
 - Aro de refuerzo pieza N° 302797

Para la instalación del cable de suministro eléctrico, siga las instrucciones del juego.

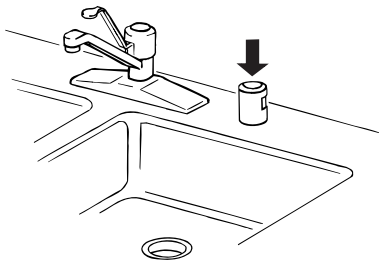
- El cable de suministro eléctrico debe conectarse a un contacto apropiado de pared de 3 terminales, con conexión a tierra, ubicado en el armario que se encuentra al lado de la abertura de la lavavajillas. El contacto debe cumplir con todos los códigos y ordenanzas locales.

IMPORTANTE: Si planea instalar un recipiente de desechos, se requiere tener un suministro eléctrico separado adicional, de 120 voltios, 60 Hz, CA solamente, de 15 ó 20 amperios, con fusible.

Requisitos de desagüe

- Use la manguera nueva de desagüe provista con su lavavajillas. Si no es lo suficientemente larga, use una manguera de desagüe nueva con una longitud máxima de 12 pies (3,7 m), que cumpla con todas las pruebas de los estándares actuales de AHAM/IAMPO (por sus siglas en inglés, los Fabricantes Estadounidenses de Electrodomésticos para Uso Doméstico y la Asociación Internacional de Funcionarios de Fontanería y Mecánica), que sea resistente al calor y al detergente y encaje en el conector de desagüe de 1" (2,5 cm) de la lavavajillas.
- Conecte la manguera de desagüe al tubo de desperdicios en "T" o a la entrada del recipiente de desechos que se encuentra arriba del sifón de desagüe en la tubería de la casa, y a un mínimo de 20" (50,8 cm) del piso. Se recomienda que la manguera de desagüe se enlace y quede asegurada firmemente a la parte inferior del mostrador, o que se conecte a una purga de aire.

Purga de aire del desagüe



- Use una purga de aire del desagüe si la manguera de desagüe está conectada a la tubería de la casa a una altura menor a las 20" (50,8 cm) sobre el contrapiso o el piso.
- Use accesorios para la línea de desagüe con un diámetro interior de 1/2" (1,3 cm) como mínimo.

INSTRUCCIONES DE INSTALACIÓN

⚠ ADVERTENCIA



Peligro de Choque Eléctrico

Desconecte el suministro de energía en la caja de fusibles o cortacircuitos antes de instalar la lavavajillas.

No seguir esta instrucción puede ocasionar la muerte o choque eléctrico.

1. Desconecte el suministro de energía.
2. Cierre el suministro de agua.

Desempaque el cajón para platos

⚠ ADVERTENCIA

Peligro de Peso Excesivo

Use dos o más personas para mover e instalar la lavavajillas.

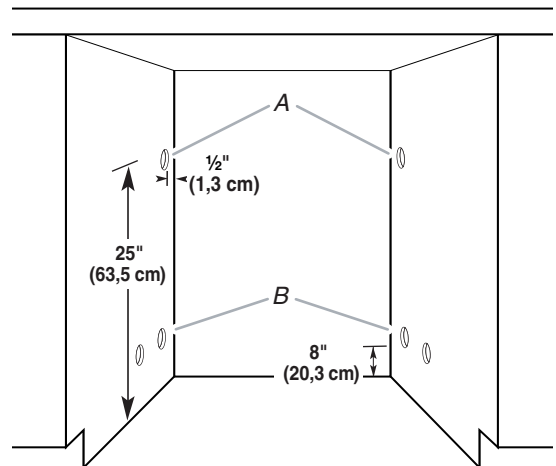
No seguir esta instrucción puede ocasionar una lesión en la espalda u otro tipo de lesiones.

1. Antes de abrirlo, lea la información importante que se encuentra en el exterior de la caja de embalaje.
2. Quite los materiales de envío, la cinta adhesiva y la película protectora de la lavavajillas. Retire el paquete de piezas del interior de la lavavajillas.

Prepare la abertura del armario

1. Para asegurarse de que tenga los espacios libres mínimos:
 - Mida la distancia del mostrador del armario al piso, y asegúrese de tener un mínimo de 33 3/4" (85,7 cm) de altura.
 - Mida la distancia del frente del armario a la pared posterior y asegúrese de tener un mínimo de 24" (61 cm) de profundidad.
 - Mida la distancia del lado izquierdo al derecho de la abertura y asegúrese de tener un mínimo de 24" (61 cm) de ancho.

2. Taladre orificios de 1/2" (3,8 cm) de diámetro para las mangueras de agua y desagüe, y para el cableado eléctrico, como se muestra. Los orificios se deben hacer a una distancia de 1/2" (1,3 cm) de la pared posterior.



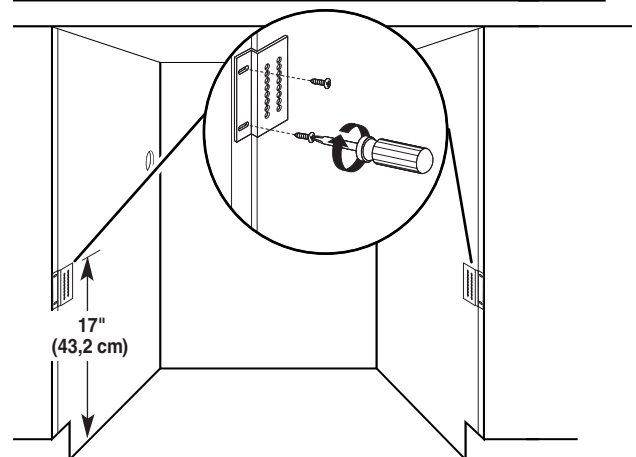
A. Elija una ruta hacia la derecha o izquierda para las mangueras de agua.

B. Elija una ruta hacia la derecha o izquierda para el cableado eléctrico y de desagüe.

Armario de madera: lije el orificio hasta que quede uniforme.

Armario metálico: cubra el orificio con el aro de refuerzo (Pieza N° 302797 – provista con el juego del cable).

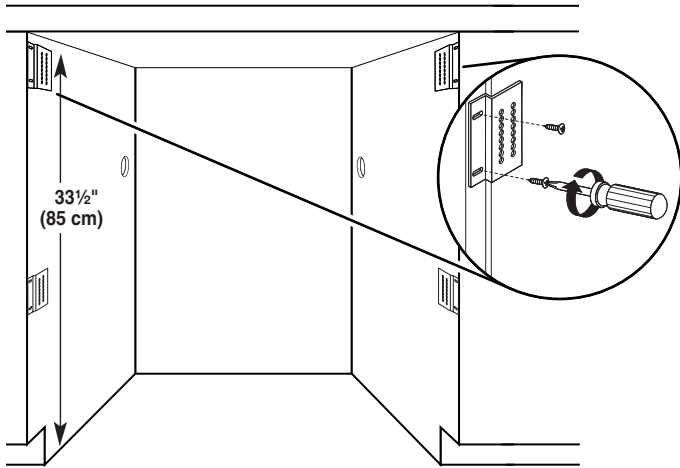
3. Instale los soportes de montaje a una distancia de 17" (43,2 cm) del piso, usando los tornillos provistos. De ser necesario, taladre orificios piloto de 1/8" en el armario.



4. Decida qué método de sujeción usará para asegurar la lavavajillas al mostrador.

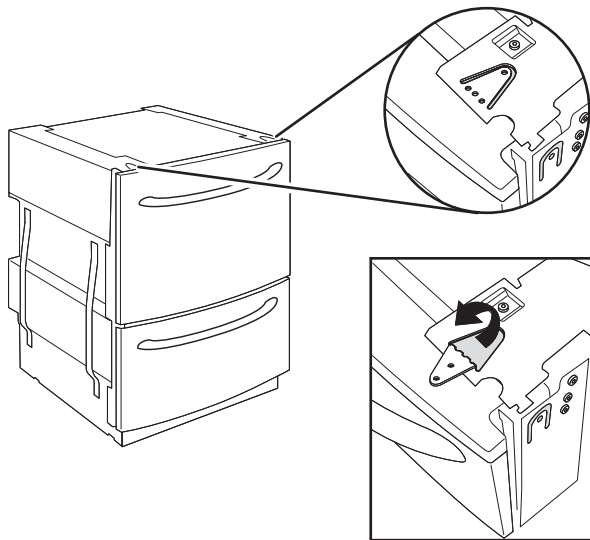
Opción 1: Instalación para un mostrador de superficie sólida

- Instale el segundo juego de soportes de montaje a una distancia de 33½" (85 cm) del piso. De ser necesario, taladre orificios piloto de ⅛" en el armario.



Opción 2: Instalación para un mostrador de madera

- Prepare la lavavajillas doblando las lengüetas ubicadas en la parte frontal superior, como se muestra.



Prepare la lavavajillas

⚠ ADVERTENCIA



Peligro de Vuelco

No abra el cajón de la lavavajillas hasta que la misma esté dentro de la abertura del armario.

Si la lavavajillas no está dentro de la abertura del armario, abra lentamente el cajón mientras alguien sostiene la parte posterior de la lavavajillas.

No seguir estas instrucciones puede ocasionar la muerte o heridas serias.

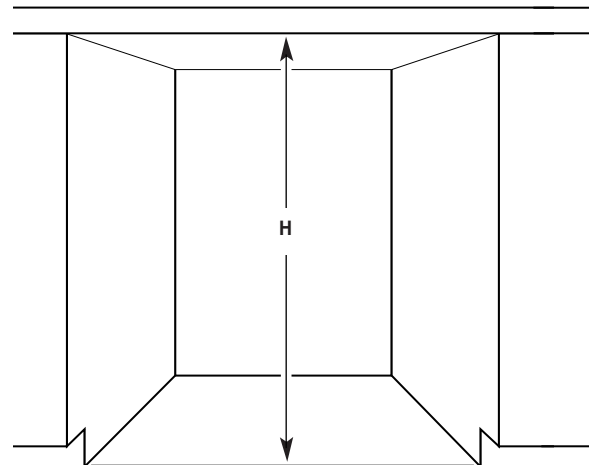
⚠ ADVERTENCIA

Peligro de Peso Excesivo

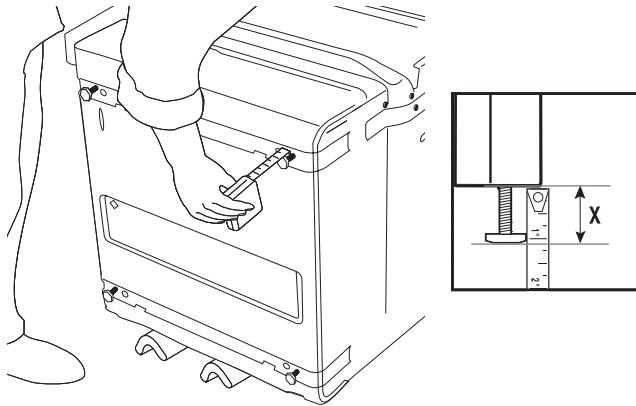
Use dos o más personas para mover e instalar la lavavajillas.

No seguir esta instrucción puede ocasionar una lesión en la espalda u otro tipo de lesiones.

1. Mida la altura de la abertura del armario del piso a la parte inferior del mostrador.



- Con la ayuda de dos o más personas, coloque los esquineros de embalaje en el piso y apoye la lavavajillas sobre su lado posterior.
- Ajuste las patas niveladoras según la medida de la abertura del armario y la tabla a continuación.



H	: X	H	: X
33 7/8" (86 cm)	: 0"	34 1/2" (87,6 cm)	: 5/8" (1,6 cm)
34" (86,3 cm)	: 1/8" (0,3 cm)	34 5/8" (87,9 cm)	: 3/4" (1,9 cm)
34 1/8" (86,7 cm)	: 1/4" (0,6 cm)	34 3/4" (88,3 cm)	: 7/8" (2,2 cm)
34 1/4" (87 cm)	: 3/8" (1 cm)	34 7/8" (88,6 cm)	: 1" (2,5 cm)
34 3/8" (87,3 cm)	: 1/2" (1,3 cm)	35" (88,9 cm)	: 1 1/8" (2,9 cm)

- Coloque la lavavajillas en posición vertical.

Dirija el cableado eléctrico

⚠ ADVERTENCIA



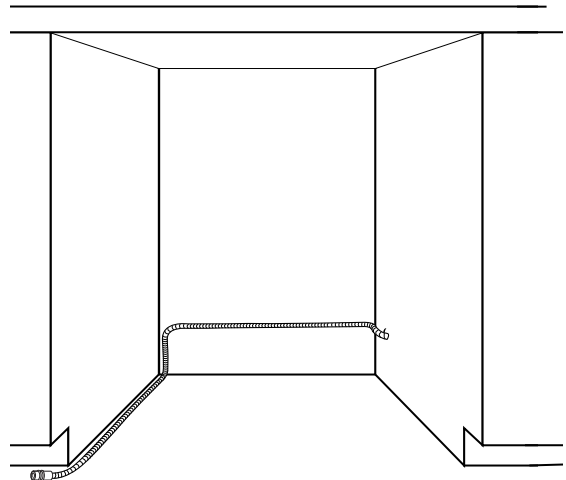
Peligro de Choque Eléctrico

Desconecte el suministro de energía en la caja de fusibles o cortacircuitos antes de instalar la lavavajillas.

No seguir esta instrucción puede ocasionar la muerte o choque eléctrico.

Siga todos los códigos y ordenanzas locales y nacionales para completar el suministro eléctrico a la carcasa.

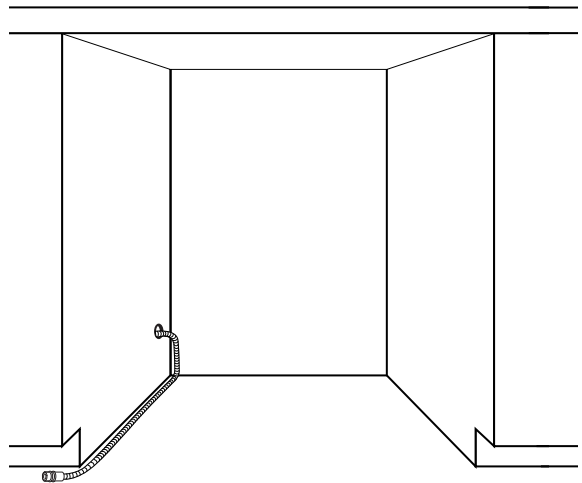
Opción 1: Ruta de servicio del lado derecho



Dirija el cable a través del orificio de 1 1/2" (3,81 cm) ubicado a 8" (20,32 cm) del piso.

Después de dirigir el cable eléctrico a través del orificio en el lado derecho, sujete el cable al lado posterior izquierdo de la pared del armario a 8" (20,32 cm) del piso. Luego continúe dirigiendo el cable a lo largo del lado izquierdo de la abertura del armario hacia el frente de la misma.

Opción 2: Ruta de servicio del lado izquierdo

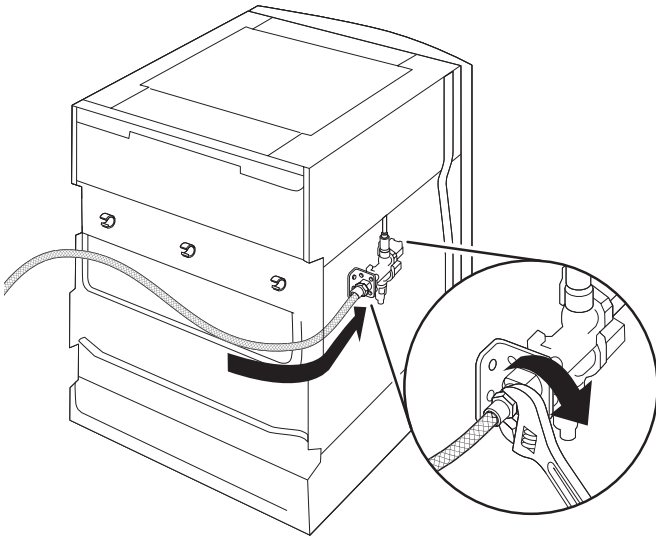


Dirija el cable a través del orificio de 1 1/2" (3,81 cm) ubicado a 8" (20,32 cm) del piso.

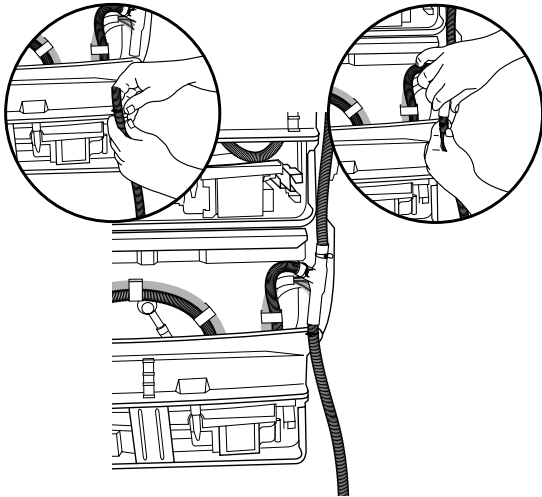
Después de dirigir el cable eléctrico a través del orificio en el lado izquierdo, continúe dirigiendo el cable a lo largo del lado izquierdo del armario hacia el frente de la abertura.

Cómo dirigir la línea de suministro de agua y la manguera de desagüe

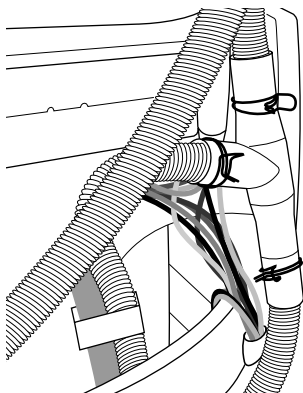
1. Conecte la línea de suministro de agua a la válvula de agua de la lavavajillas.



2. Deslice la abrazadera sobre la manguera de desagüe y empuje la manguera en el conector en "Y" hasta que quede completamente asentada. Se escucharán varios chasquidos.

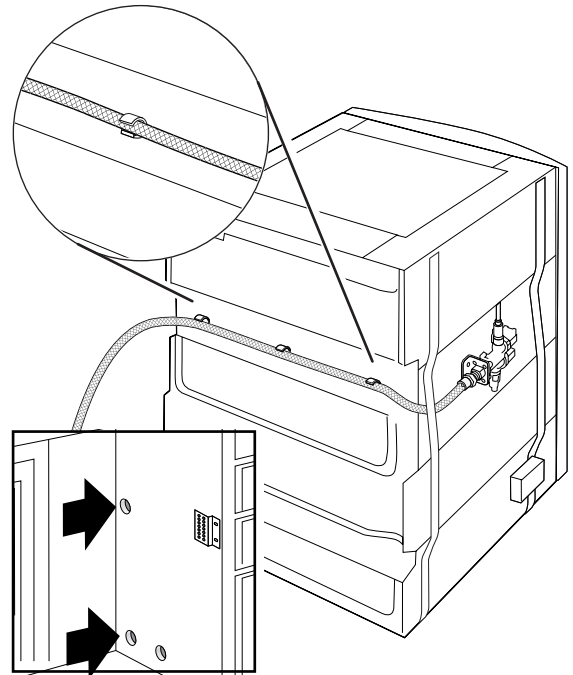


3. Deslice la abrazadera a su posición sobre el conector en "Y".

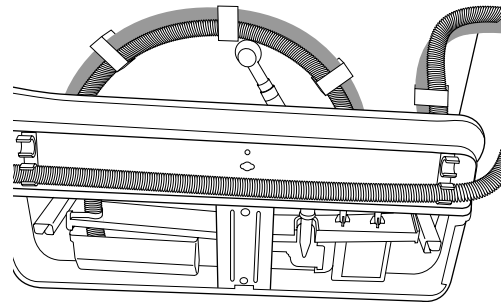


Opción 1: Acceso de servicio por el lado derecho

- Para dirigir por el lado derecho, coloque la línea de suministro de agua en los sujetadores.

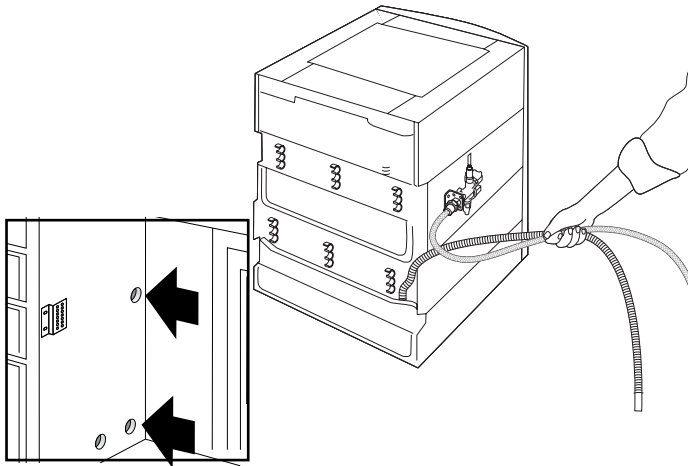


- Dirija la manguera de desagüe sobre los sujetadores por encima de la parte posterior/inferior de la unidad.

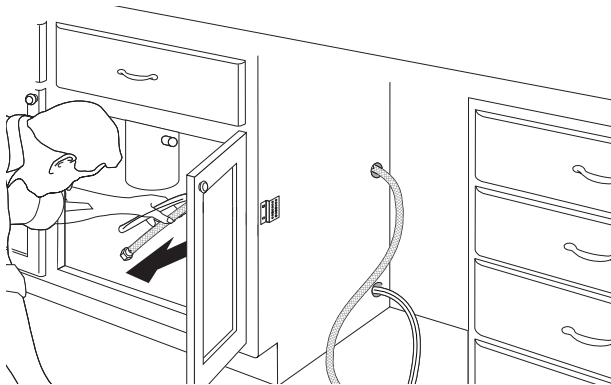


Opción 2: Acceso de servicio por el lado izquierdo

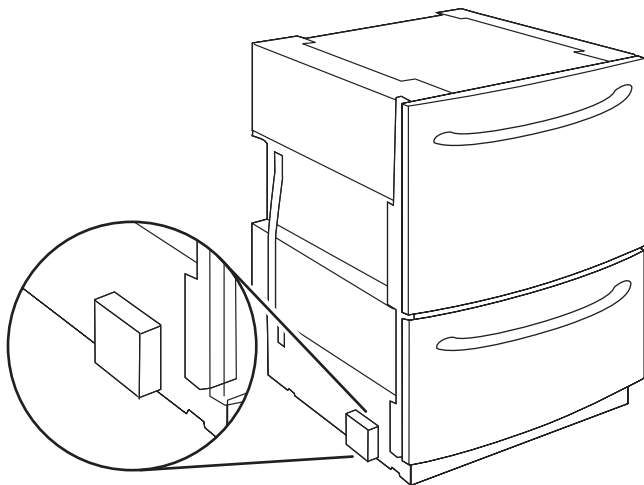
- Para dirigir por el lado izquierdo, coloque la manguera en el sujetador sobre el lado inferior derecho de la lavavajillas.



- Dirija la línea del suministro de agua y las mangueras de desagüe hacia el interior del armario.

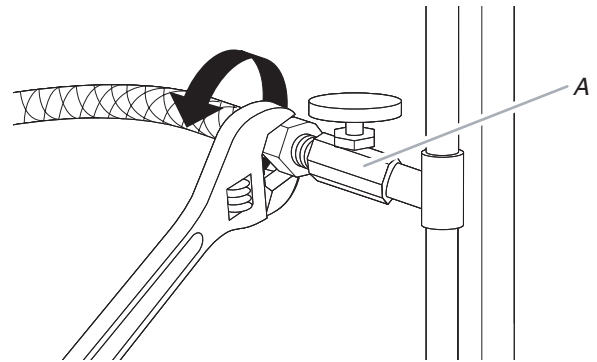


- Deslice la lavavajillas parcialmente dentro de la abertura del armario. Deje espacio para tener acceso a la caja de terminales eléctricas.



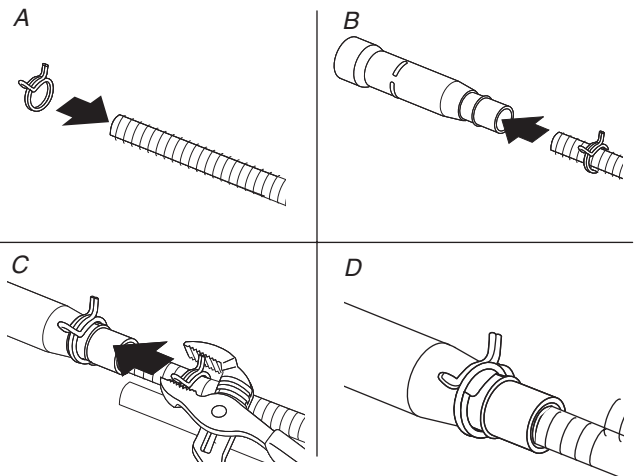
Conecte la línea de suministro de agua y las mangueras de desagüe

1. Conecte la línea del suministro de agua a la válvula de agua que se encuentra debajo del fregadero.



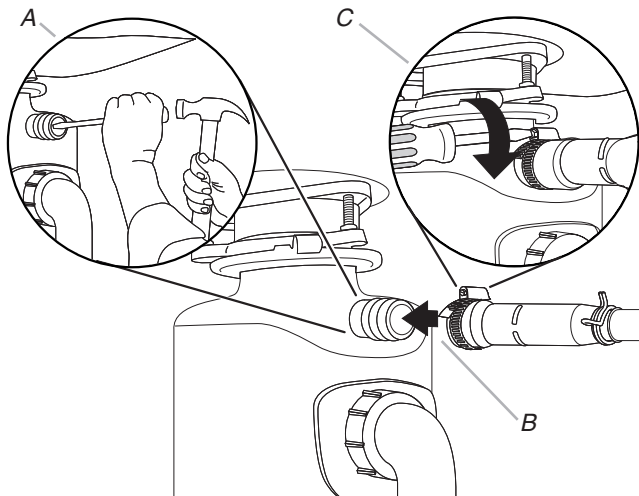
A. Suministro de agua caliente

2. Deslice las agarraderas en las mangueras de desagüe (Figura A). No corte las mangueras de desagüe.
3. Empuje la manguera en el conector de desagüe hasta que encaje por completo (Figura B). Se escucharán varios sonidos de "clic".
4. Deslice las abrazaderas a su posición (figuras C y D).



5. Conecte la manguera de desagüe usando una de las siguientes opciones:

Opción 1: Recipiente de desechos sin purga de aire de desagüe



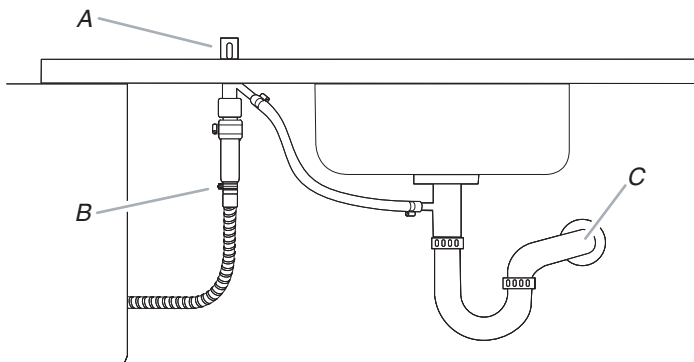
A. Para una obra de construcción nueva, quite el tapón del recipiente de desechos.

B. Una el conector del desagüe al recipiente de desechos.

C. Apriete la abrazadera.

NOTA: Esta conexión debe estar antes del sifón de desagüe y estar al menos a 20" (50,8 cm) por encima del piso en donde se instalará la lavavajillas. Se recomienda enlazar la manguera de desagüe y asegurarla firmemente a la parte de abajo del mostrador.

Opción 2: Sin recipiente de desechos, con purga de aire de desagüe

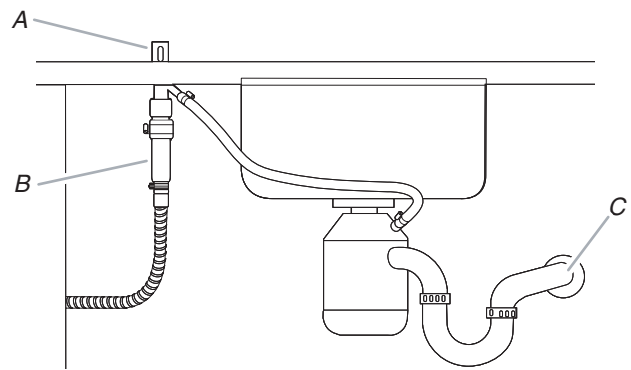


A. Purga de aire del desagüe

B. Conector de la manguera de desagüe

C. Tubo de desechos

Opción 3: Recipiente de desechos y purga de aire de desagüe

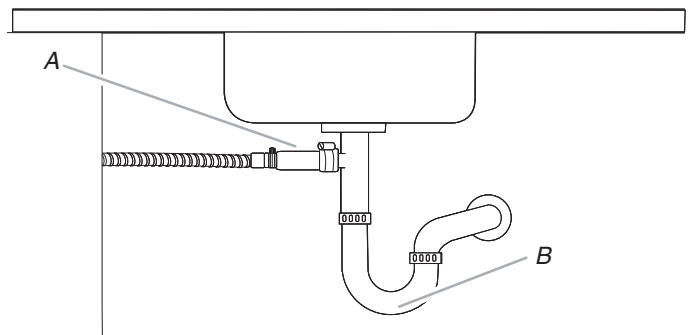


A. Purga de aire del desagüe

B. Conector de la manguera de desagüe

C. Tubo de desechos

Opción 4: Sin recipiente de desechos ni purga de aire de desagüe



A. Conector de la manguera de desagüe

B. Tubo de desechos

NOTAS:

- Sujete el conector de la manguera de desagüe a la línea de desechos de agua, usando la abrazadera para manguera provista.
- Esta conexión debe estar antes del sifón de desagüe y estar al menos a 20" (50,8 cm) por encima del piso en donde se instalará la lavavajillas. Se recomienda enlazar la manguera de desagüe y asegurarla firmemente a la parte de abajo del mostrador.

6. Abra la llave del agua y revise si hay fugas.

Conexión del suministro eléctrico

⚠ ADVERTENCIA

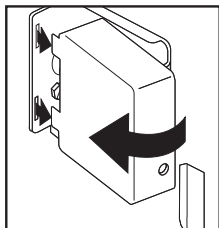
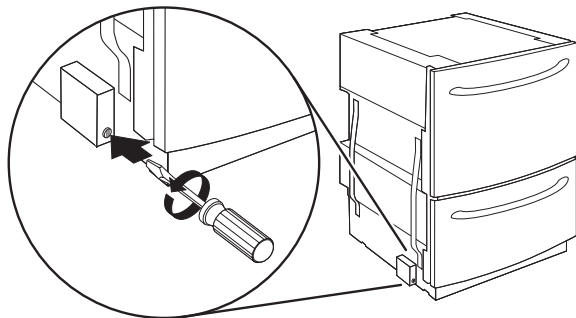


Peligro de Choque Eléctrico

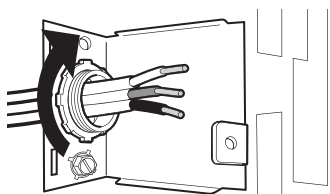
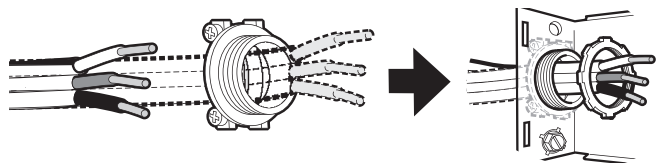
Desconecte el suministro de energía en la caja de fusibles o cortacircuitos antes de instalar la lavavajillas.

No seguir esta instrucción puede ocasionar la muerte o choque eléctrico.

1. Quite el tornillo que sujeta la tapa de la caja eléctrica. Quite la tapa.



2. Dirija los cables eléctricos a través del protector de cables y sujételos a la placa eléctrica.



⚠ ADVERTENCIA



Peligro de Choque Eléctrico

Conecte a tierra la lavavajillas.

Conecte el alambre de conexión a tierra al conector verde de conexión a tierra en la caja de terminales.

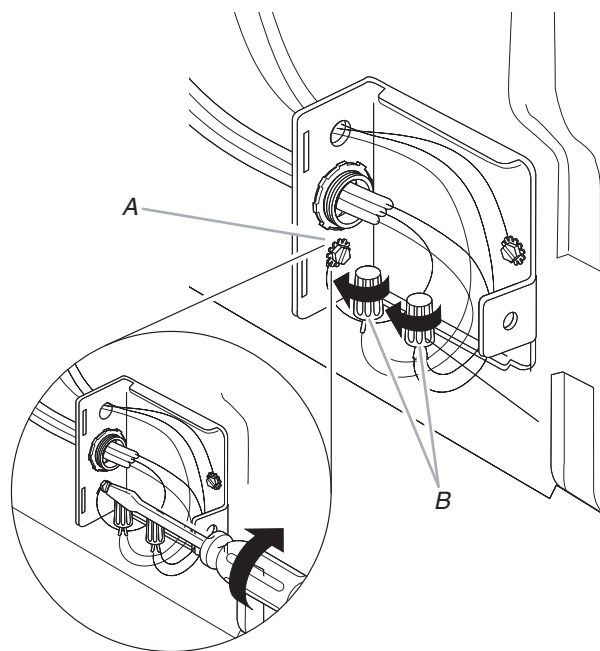
No use un cable eléctrico de extensión.

No seguir estas instrucciones puede ocasionar la muerte, incendio o choque eléctrico.

3. Conecte los cables como se describe a continuación, usando ataduras en los conectores del tamaño adecuado para conectar el cable directo al cable de la lavavajillas de calibre 16.

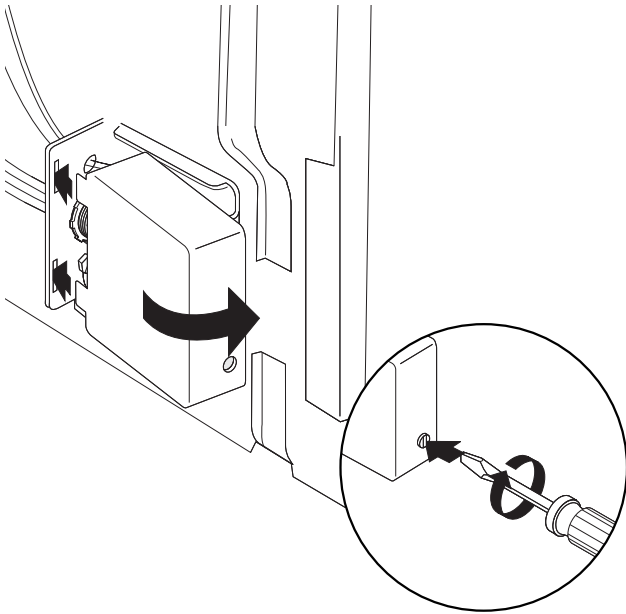
Cable de suministro eléctrico:		Cable de la caja de terminales:
blanco	↔	blanco
negro	↔	negro
hilo de puesta a tierra	↔	conector de puesta a tierra

4. Conecte el alambre de conexión a tierra al tornillo verde de conexión a tierra.



A. Sujete el alambre de conexión a tierra al tornillo verde
B. Conecte el alambre blanco y el negro

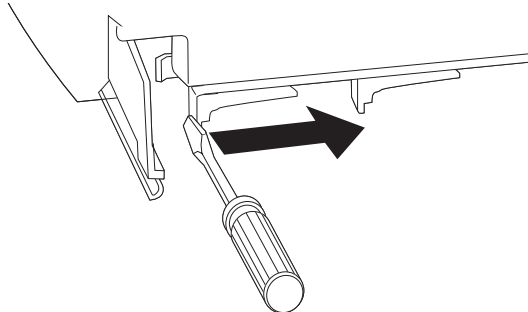
5. Vuelva a colocar la tapa de la caja eléctrica con todos los alambres dentro de la caja de terminales.



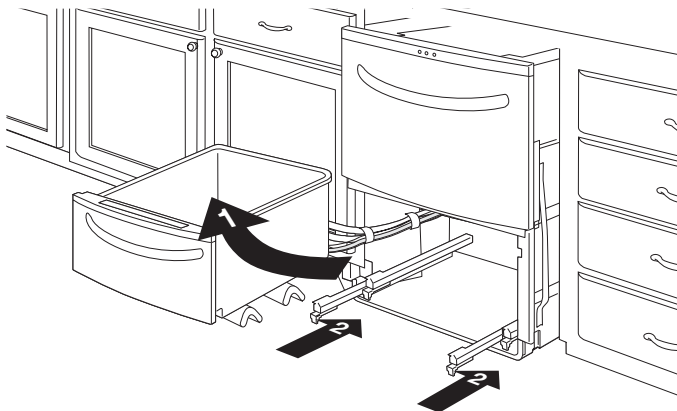
NOTA: No lo enchufe en el contacto hasta que se le indique.

Instale las piezas de adorno y nivele la lavavajillas

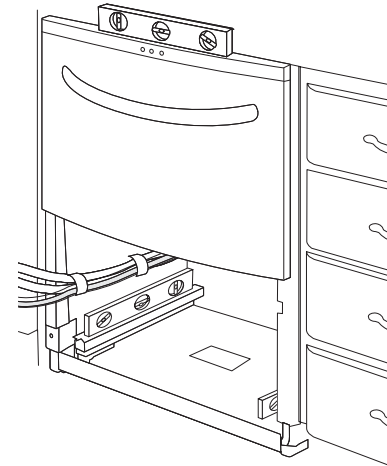
1. Abra el cajón inferior.
2. Trabe los sujetadores y deslice los rieles 5" (12,7 cm) hacia dentro.



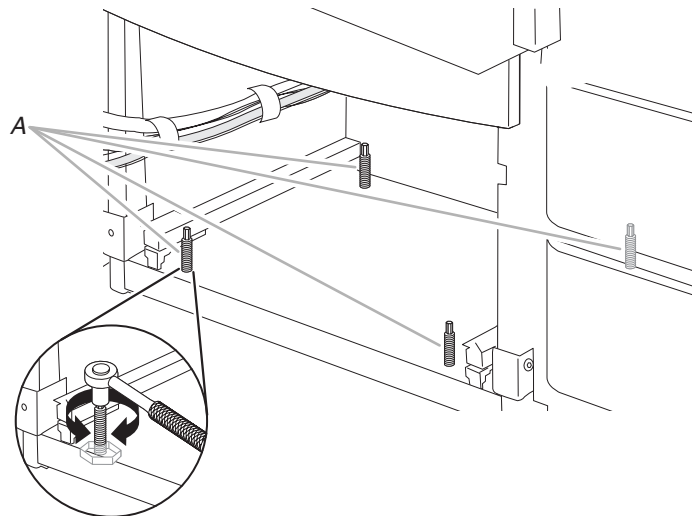
3. Levante y quite el cajón de los rieles deslizables. Coloque el cajón a la izquierda, sobre una cubierta. Deslice los rieles dentro de la lavavajillas.



4. Deslice la lavavajillas a su posición en la abertura del armario. Revise que la manguera de desagüe y el cableado eléctrico no estén retorcidos.
5. Revise la nivelación de izquierda a derecha colocando el nivel encima del cajón. Revise la nivelación de adelante hacia atrás colocando el nivel sobre los rieles deslizables.

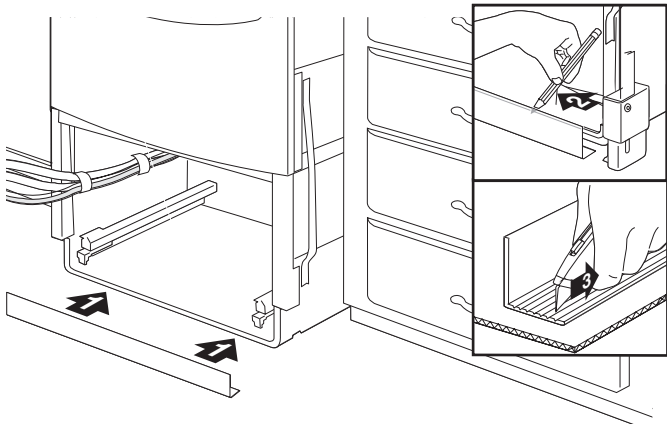


6. Para nivelar la lavavajillas, ajuste las patas con una llave de tubo de 3/16".

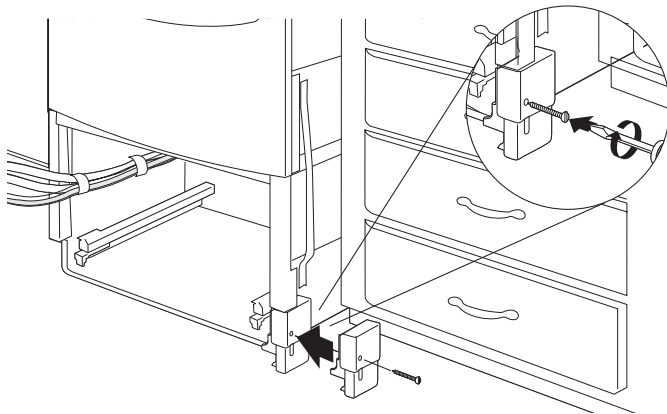


A. Ajuste las patas

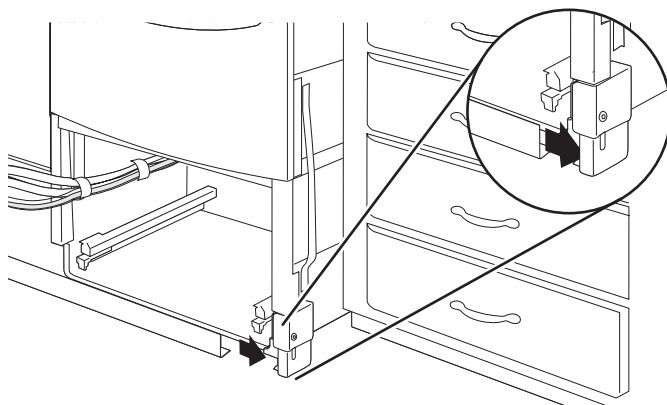
7. Coloque la tira de adorno en el piso y haga una marca en la misma, en la parte superior de la altura del reborde del marco. Elija la ranura más cercana a la marca. Si la marca se encuentra entre dos ranuras, elija la ranura que hace la tira de adorno más corta. Sobre una superficie protectora, corte la tira de adorno en la ranura elegida. Jale la lavavajillas hacia atrás y fuera del armario aproximadamente 6" (15,24 cm).



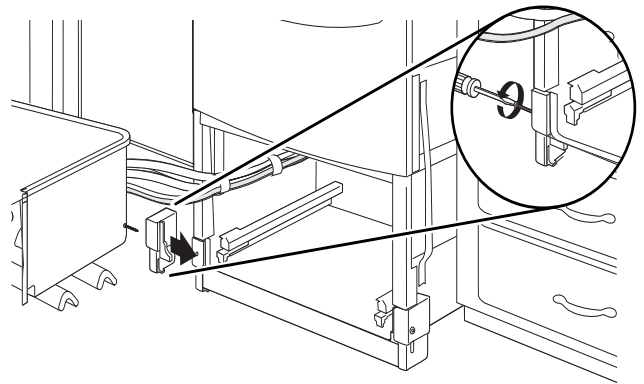
8. Sujete el soporte de la cubierta protectora al marco.



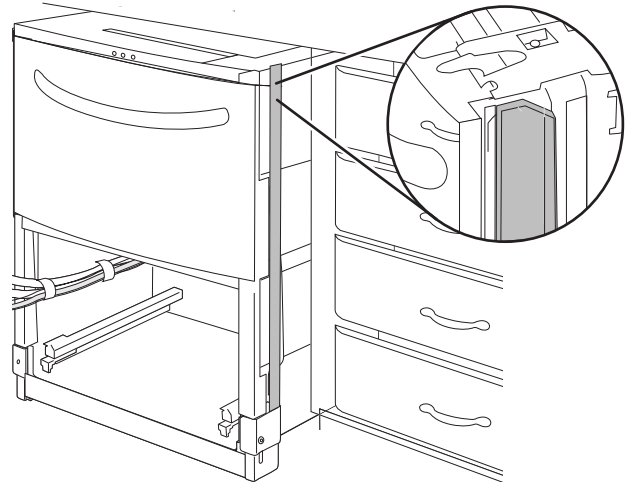
9. Coloque la tira de adorno en el soporte de la cubierta protectora.



10. Sujete el soporte de la cubierta protectora al lado contrario.



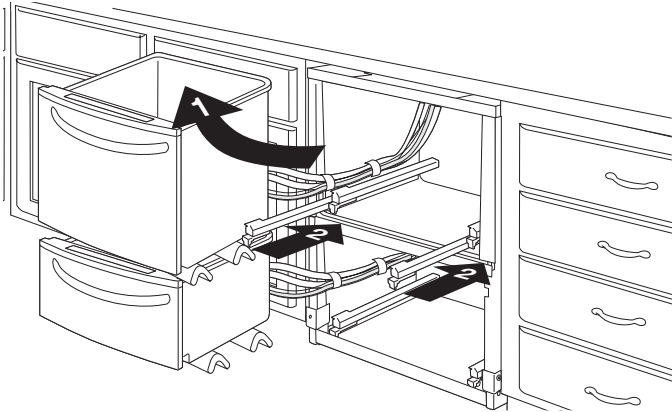
11. Coloque las tiras de adorno flexibles laterales en ambos lados, como se muestra.



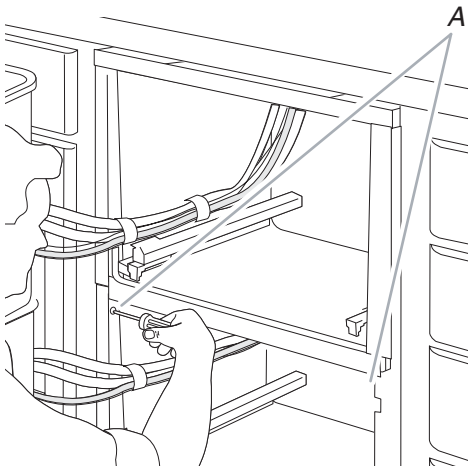
12. Deslice la lavavajillas nuevamente a su posición en la abertura del armario. Revise que la manguera de desagüe y el cableado eléctrico no estén retorcidos.

Asegure la lavavajillas

1. Quite el cajón superior (se sigue el mismo procedimiento que para quitar el cajón inferior), y colóquelo sobre el cajón inferior, separándolos con los esquineros del embalaje.



2. Sujete la lavavajillas al soporte de montaje inferior del armario (el cual se instaló anteriormente).

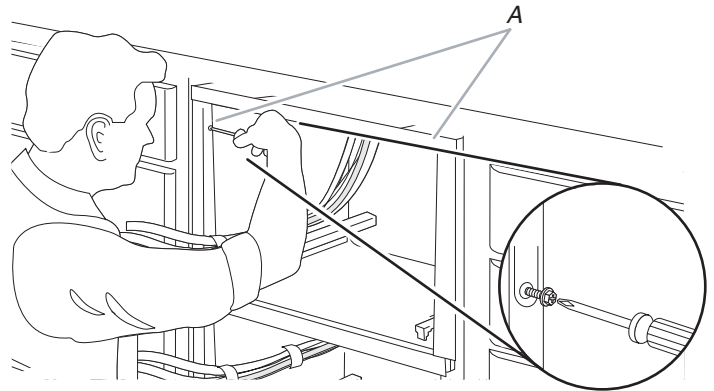


A. Sujete la lavavajillas al soporte de montaje inferior del armario.

3. Sujete la lavavajillas a los soportes de montaje superiores del armario.

Opción 1: Mostrador de superficie sólida

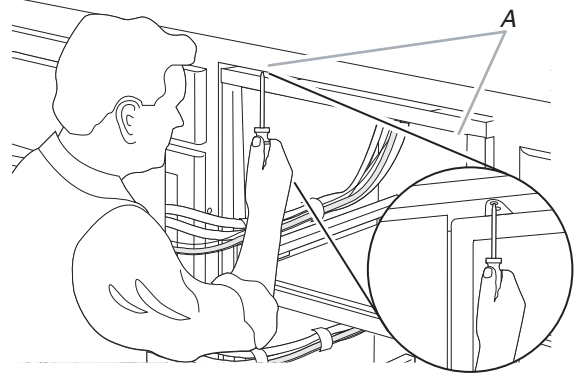
Sujete la lavavajillas a los soportes de montaje lateral del armario (los cuales se instalaron anteriormente).



A. Sujete la lavavajillas a los soportes de montaje laterales del armario.

Opción 2: Mostrador de madera

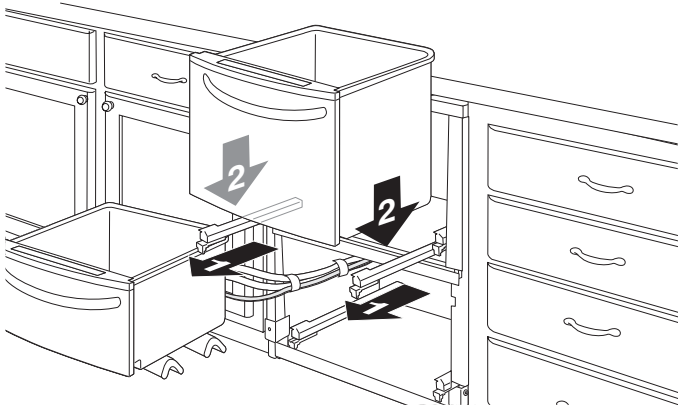
Sujete la lavavajillas al mostrador usando las lengüetas de montaje dobladas, ubicadas en la parte superior de la lavavajillas.



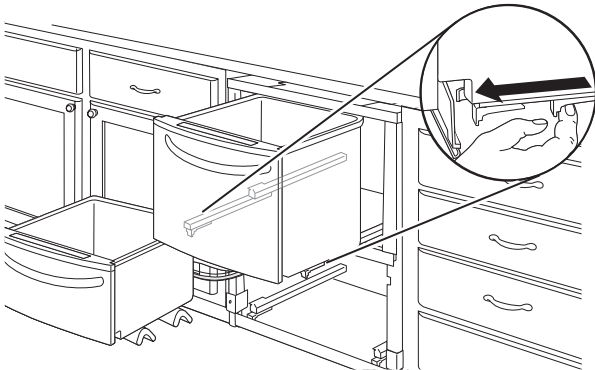
A. Sujete la lavavajillas al mostrador usando las lengüetas de montaje dobladas.

Complete la instalación

1. Jale hacia afuera los rieles deslizables del cajón superior y coloque el cajón superior en los mismos.



2. Jale hacia adelante los rieles deslizables hasta que encajen en su posición.



3. Empuje el cajón superior hacia adentro y repita los pasos anteriores con el cajón inferior.

4. En el armario que se encuentra debajo del fregadero, enrosque la manguera de desagüe que sobre y amárrela con una atadura.

⚠ ADVERTENCIA



Peligro de Choque Eléctrico

Conecte a un contacto de pared de conexión a tierra de 3 terminales.

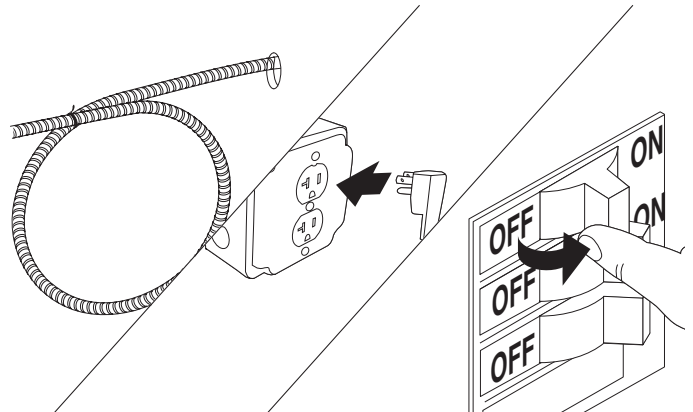
No quite la terminal de conexión a tierra.

No use un adaptador.

No use un cable eléctrico de extensión.

No seguir estas instrucciones puede ocasionar la muerte, incendio o choque eléctrico.

5. Enchufe la lavavajillas o reconecte el suministro de energía.



6. Seleccione el ciclo Rinse Only (Sólo enjuague) y presione START/RESUME (Inicio/Reanudar). Espere a que la lavavajillas se llene y lleve a cabo el enjuague y el desagüe. Revise si hay fugas. Si encuentra fugas, asegure la conexión y repita este paso.

Si necesita ayuda o servicio técnico:

Sírvase consultar la sección "Ayuda o servicio técnico" de las Instrucciones para el usuario o póngase en contacto con el distribuidor en donde usted compró la lavavajillas.

INSTRUCCIONES DE INSTALACIÓN DEL PANEL A LA MEDIDA

Panel del cajón a la medida

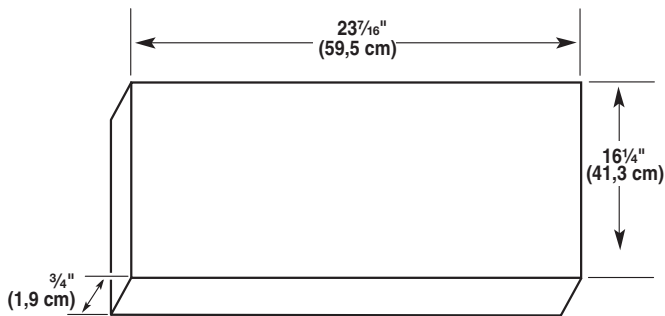
Si va a instalar un panel de madera a la medida, deberá hacerlo usted mismo o consultar un carpintero o fabricante de armarios calificado. Para obtener información acerca de las especificaciones del panel, vea los gráficos dimensionales.

IMPORTANTE:

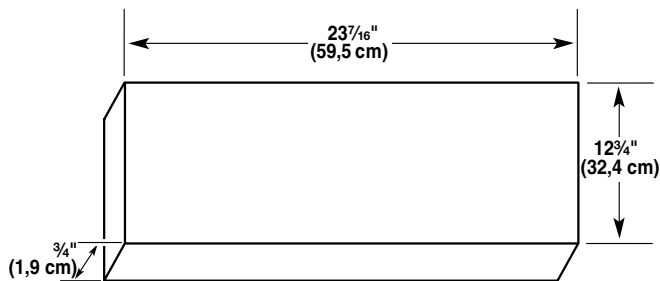
- El grosor del panel a la medida debe ser de $\frac{1}{2}$ " (1,3 cm) a $\frac{3}{4}$ " (1,9 cm).
- No sobrepase la medida de altura establecida para el panel a la medida. El panel que sobrepasa la medida de altura puede dañar la lavavajillas de cajón, los armarios o el mostrador.
- El ancho del panel a la medida puede variar de acuerdo con el ancho de la abertura del armario.

Dimensiones del panel a la medida

Panel del cajón superior



Panel del cajón inferior

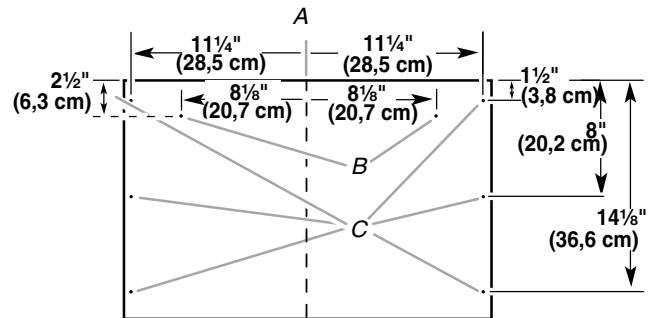


Instalación de los herrajes

Centre los herrajes (de izquierda a derecha) sobre el panel a la medida. Asegúrese al instalar los herrajes que los tornillos de montaje estén al ras con la parte trasera del panel a la medida.

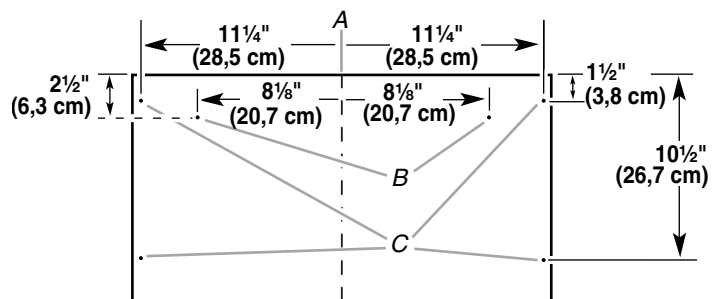
Preparación del panel a la medida

1. Coloque el panel a la medida boca abajo en una superficie de trabajo limpia y blanda.
2. Use un lápiz para marcar los puntos centrales de los 2 orificios guía para los sujetadores de los paneles y 6 orificios guía necesarios para el panel.



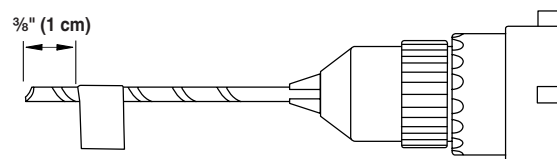
- A. Línea central
- B. Orificios guía para el sujetador del panel (2)
- C. Orificios guía (6)

3. Marque los puntos centrales para los orificios guía de los dos sujetadores de los paneles y los 4 orificios guía necesarios para el panel inferior.



- A. Línea central
- B. Orificios guía para el sujetador del panel (2)
- C. Orificios guía (4)

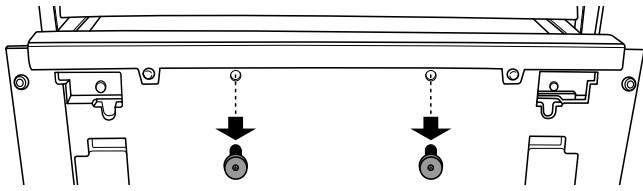
4. Con una broca de $\frac{1}{8}$ ", haga cada orificio de una profundidad de $\frac{3}{8}$ " (1 cm).



IMPORTANTE: Para evitar taladrar hasta atravesar el frente del panel a la medida, no taladre a una profundidad de más de $\frac{3}{8}$ " (1 cm).

Cómo instalar los sujetadores del panel

1. Quite los dos sujetadores del panel del frente de la puerta interior del cajón.

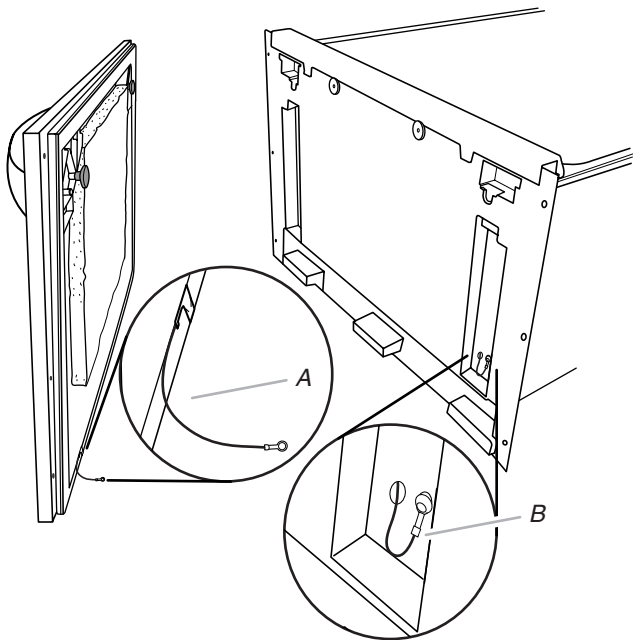


2. Atornille los dos sujetadores del panel en los orificios guía para los sujetadores del panel a la medida.

Cómo montar el panel a la medida

Panel decorativo a la medida solamente

1. Quite la cinta del alambre verde a tierra en el panel decorativo a la medida. El extremo del alambre verde a tierra está sujetado de fábrica al panel decorativo a la medida.
2. Sujete el extremo del conector de anillo del alambre verde de conexión a tierra, ubicado en el panel decorativo a la medida, al conector de anillo y el tornillo de conexión a tierra en el panel intermedio del cajón de la lavavajillas.

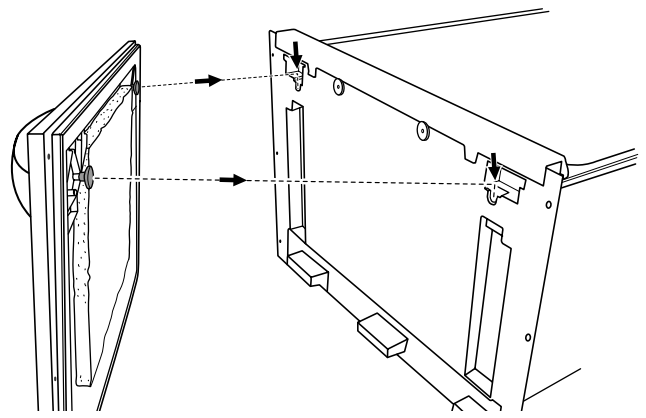


A. Hilo verde a tierra
B. Tornillo a tierra

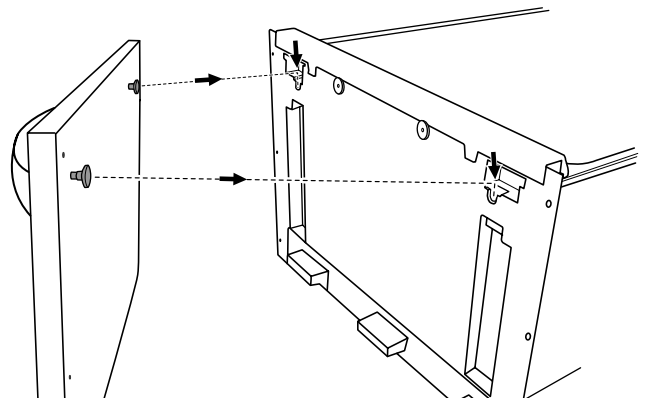
Panel decorativo a la medida o panel de madera a la medida

1. Para colocar el panel a la medida en el cajón, alinee los sujetadores del panel a las dos ranuras de cerradura e inserte el panel.

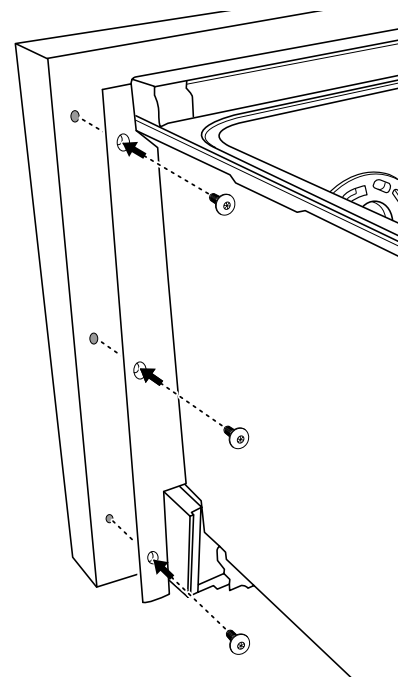
Panel decorativo a la medida



Panel de madera a la medida



2. Para asegurar el panel a la medida al cajón, ponga presión sobre el panel hasta que la parte superior del panel a la medida esté alineada con la parte superior del panel de control.
3. Usando los tornillos provistos, asegure el panel a la medida a la puerta interior atornillando a través de la misma, hasta los orificios guía de 1/8" (3,2 mm).



SÉCURITÉ DU LAVE-VAISSELLE

Votre sécurité et celle des autres est très importante.

Nous donnons de nombreux messages de sécurité importants dans ce manuel et sur votre appareil ménager. Assurez-vous de toujours lire tous les messages de sécurité et de vous y conformer.



Voici le symbole d'alerte de sécurité.

Ce symbole d'alerte de sécurité vous signale les dangers potentiels de décès et de blessures graves à vous et à d'autres.

Tous les messages de sécurité suivront le symbole d'alerte de sécurité et le mot "DANGER" ou "AVERTISSEMENT". Ces mots signifient :

⚠ DANGER

Risque possible de décès ou de blessure grave si vous ne suivez pas immédiatement les instructions.

⚠ AVERTISSEMENT

Risque possible de décès ou de blessure grave si vous ne suivez pas les instructions.

Tous les messages de sécurité vous diront quel est le danger potentiel et vous disent comment réduire le risque de blessure et ce qui peut se produire en cas de non-respect des instructions.

IMPORTANTES INSTRUCTIONS DE SÉCURITÉ

AVERTISSEMENT : Lors de l'utilisation du lave-vaisselle, suivre les précautions élémentaires dont les suivantes :

- Lire la totalité des instructions avant d'utiliser le lave-vaisselle.
- N'utiliser le lave-vaisselle que pour laver la vaisselle.
- Utiliser les détergents ou agents de rinçage recommandés pour lave-vaisselle et les garder hors de la portée des enfants.
- Lorsque vous chargez le lave-vaisselle :
 - 1) Placer les objets coupants de façon qu'ils ne puissent endommager le joint de la porte; et
 - 2) Placer les couteaux le manche vers le haut de façon à ne pas vous couper.
- Ne pas laver d'articles en plastique à moins qu'ils ne soient marqués "Peut aller au lave-vaisselle" ou l'équivalent. Si l'article ne porte aucune indication, vérifier auprès du fabricant.
- Ne pas toucher l'élément chauffant pendant le fonctionnement ou immédiatement après.
- Ne pas faire fonctionner le lave-vaisselle si tous les panneaux de l'enceinte ne sont pas en place.
- Ne pas jouer avec les commandes.
- Ne pas abuser, vous asseoir ni monter sur la porte, le couvercle ou les paniers du lave-vaisselle.
- Pour éviter tout risque d'accident, ne pas laisser les enfants jouer dans ou sur le lave-vaisselle.
- Sous certaines conditions, de l'hydrogène peut se former dans un réseau d'eau chaude inutilisé depuis deux semaines ou plus. L'HYDROGÈNE EST UN GAZ EXPLOSIBLE. Si le système d'eau chaude n'a pas été utilisé depuis un certain temps, laisser couler l'eau chaude des robinets pendant quelques minutes avant de faire fonctionner le lave-vaisselle. Cette mesure permettra à l'hydrogène de s'évaporer. Ce gaz étant inflammable, ne pas fumer ni utiliser de flamme nue pendant cette période.
- Enlever la porte ou le couvercle du compartiment de lavage lorsque vous remplacez ou mettez au rebut un vieux lave-vaisselle.

CONSERVEZ CES INSTRUCTIONS

⚠ AVERTISSEMENT



Risque de basculement

Ne pas ouvrir le tiroir du lave-vaisselle jusqu'à ce qu'il soit placé à l'intérieur de l'ouverture du placard.

Si le lave-vaisselle ne se trouve pas dans l'ouverture du placard, ouvrir lentement le tiroir pendant que quelqu'un saisit l'arrière du lave-vaisselle.

Le non-respect de ces instructions peut causer un décès ou une blessure grave.

Opérations à exécuter :

- Ouvrir lentement le tiroir du lave-vaisselle tandis qu'une autre personne saisit/retient l'arrière du lave-vaisselle. Retirer les matériaux d'emballage. Fermer le tiroir du lave-vaisselle. Verrouiller le tiroir du lave-vaisselle.
- Respecter les prescriptions de tous les codes et règlements en vigueur.

- Installer le lave-vaisselle conformément aux présentes instructions.
- Veiller à disposer de tout ce qui est nécessaire pour l'installation correcte du lave-vaisselle.

- Contacter un installateur qualifié pour garantir que l'installation du lave-vaisselle soit exécutée conformément aux prescriptions de tous les codes et règlements nationaux et locaux régissant les installations électriques et de plomberie en vigueur.

EXIGENCES D'INSTALLATION

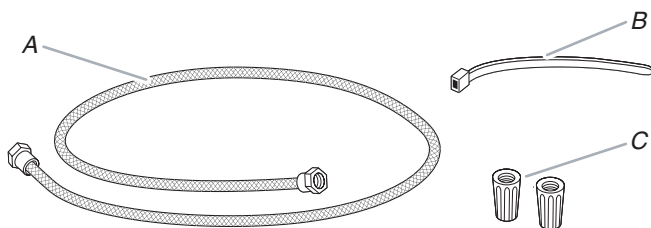
Outillage et composants

Rassembler les outils et pièces nécessaires avant de commencer l'installation. Lire et suivre les instructions fournies avec les outils indiqués ici.

Outillage nécessaire

- Pince
- Tournevis Philips
- Tournevis à lame plate
- Douilles hexagonales/ tourne-écrou de 3/16" et 1/4"
- Mètre ruban ou règle
- Mèche de scie à guichet de 1 1/2"
- Clé à molette de 10"
- Couteau utilitaire
- Niveau
- Perceuse sans fil
- Foret de 1/8"
- Tournevis TORX®† T-20 (sur certains modèles)

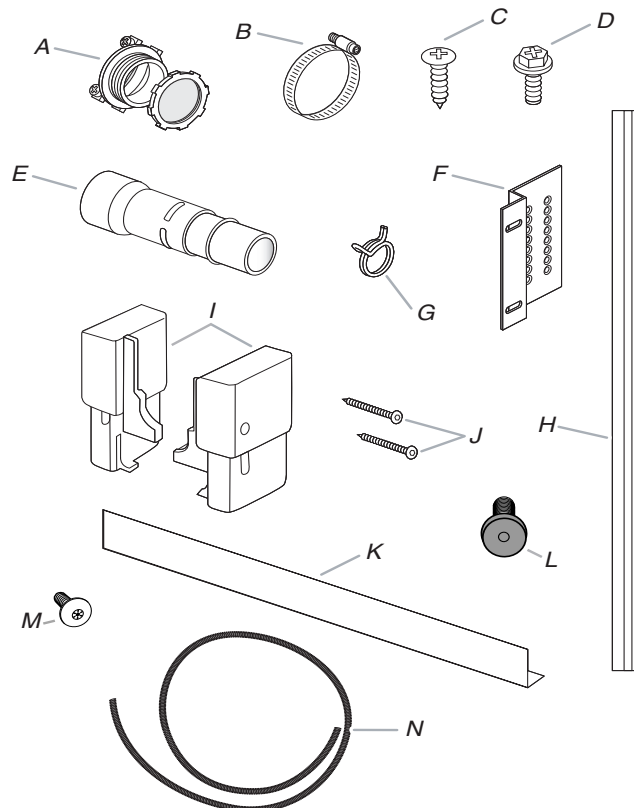
Composants nécessaires



- A. Tuyau d'arrivée d'eau flexible 72" (182,9 cm)
 B. Attache en plastique
 C. Connecteurs de fils de taille appropriée - homologation UL (2)

Pièces fournies

Vérifier la présence de toutes les pièces.



- A. Serre-câble 3/4" - homologation UL
 B. Bride de tuyau 1,25"
 C. Vis de bride de montage (8)
 D. Vis de fixation de l'appareil (4)
 E. Raccord du tuyau d'évacuation
 F. Brides de montage (4)
 G. Brides à ressorts pour tuyau d'évacuation (2)
 H. Cornières de garniture (2)
 I. Brides pour cornière de plinthe (2)
 J. Vis des brides de la cornière de plinthe (2)
 K. Cornière de plinthe
 L. Vis de fixation de panneau (sur certains modèles) (2)
 M. Vis TORX®† (sur certains modèles) (10)
 N. Tuyaux d'évacuation

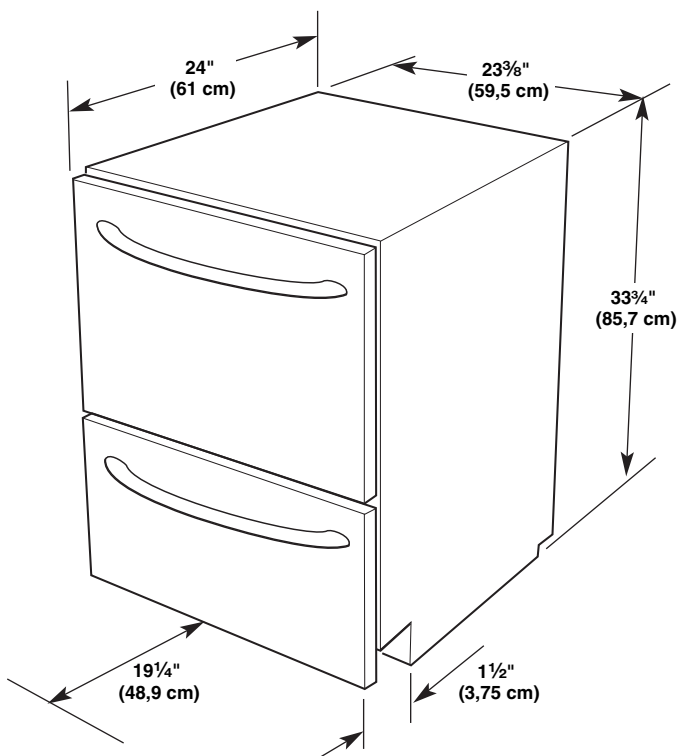
†TORX est une marque déposée de Acument Intellectual Properties, LLC

Exigences d'emplacement

IMPORTANT : Observer les dispositions de tous les codes et règlements en vigueur. Le non-respect de ces codes et règlements pourrait entraîner un incendie ou un choc électrique. C'est à l'utilisateur du produit qu'incombe la responsabilité de réaliser une installation correcte.

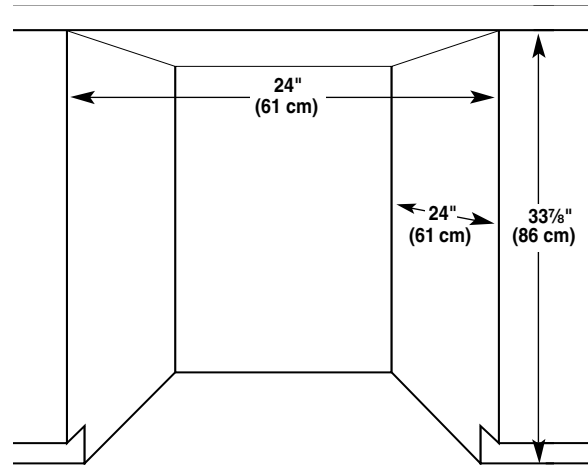
- Contacter un installateur qualifié pour garantir que l'installation du lave-vaisselle soit exécutée conformément aux prescriptions de tous les codes locaux et nationaux en vigueur régissant les installations d'électricité et de plomberie.
- Réaliser l'installation du lave-vaisselle tel que spécifié dans ces instructions.
- Veiller à disposer de tous les outils et composants nécessaires pour l'installation du lave-vaisselle.
- Protéger le lave-vaisselle et les canalisations d'eau qui l'alimentent contre les dommages imputables au gel. La garantie ne couvre pas les dommages imputables au gel.
- Ce lave-vaisselle est conçu et fabriqué uniquement pour une utilisation à l'intérieur.
- Installer le lave-vaisselle d'aplomb en un endroit approprié sur un sol capable d'en soutenir le poids compte tenu de sa taille et de son utilisation.

Dimensions du produit

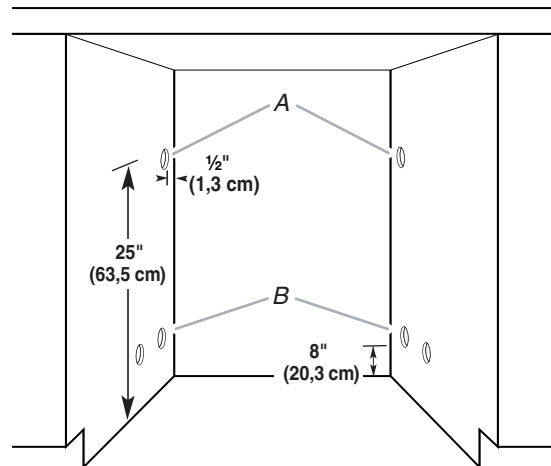


Distances de dégagement à respecter

Dimensions de l'espace d'installation



Emplacements préférentiels pour le passage des tuyaux et du câble



- A. Choisir la position d'installation des tuyaux d'arrivée d'eau - à gauche ou à droite.
- B. Choisir la position d'installation du câblage électrique et d'évacuation - à gauche ou à droite.

REMARQUE : Diamètre de 1/2" (3,8 cm) pour tous les trous.

Spécifications de l'alimentation en eau

- Canalisations d'eau chaude avec pression de 20 à 120 lb/po² (138 à 862 kPa).
- Admission dans le lave-vaisselle d'eau à température de 120°F (49°C).
- Raccordement entre l'appareil et la canalisation d'eau à l'aide d'un conduit flexible à gaine tressée (on déconseille l'emploi de tube de plastique — diamètre minimum 1/2").

Spécifications électriques

⚠ AVERTISSEMENT



Risque de choc électrique

Brancher sur une prise à 3 alvéoles reliée à la terre.

Ne pas enlever la broche de liaison à la terre.

Ne pas utiliser un adaptateur.

Ne pas utiliser un câble de rallonge.

Le non-respect de ces instructions peut causer un décès, un incendie ou un choc électrique.

INSTRUCTIONS DE MISE À LA TERRE

■ Pour un lave-vaisselle relié à la terre, branché avec un cordon :

Le lave-vaisselle doit être relié à la terre. En cas d'un mauvais fonctionnement ou d'une panne, la mise à terre réduira le risque d'un choc électrique en fournissant le moins de résistance pour le courant électrique. Le lave-vaisselle est équipé d'un cordon avec un conducteur pour relier les appareils à la terre. La fiche doit être branchée sur une prise appropriée, installée et reliée à la terre conformément aux codes et règlements locaux.

AVERTISSEMENT : La connexion incorrecte du conducteur pour relier les appareils à la terre peut causer le risque de choc électrique. Vérifier avec un électricien compétent ou un représentant de service si vous avez des doutes si le lave-vaisselle est correctement relié à la terre. Ne pas modifier la fiche fournie avec le lave-vaisselle; si elle n'entre pas dans la prise, faire installer une prise appropriée par un électricien compétent.

■ Pour un lave-vaisselle branché en permanence :

Le lave-vaisselle doit être branché à un système d'installation électrique permanent en métal relié à la terre, ou un conducteur pour relier les appareils à la terre doit être relié avec les conducteurs du circuit et branché à une borne pour relier les appareils à la terre ou au cordon d'alimentation électrique avec le lave-vaisselle.

CONSERVEZ CES INSTRUCTIONS

Contactez un électricien qualifié.

Vérifier que le circuit d'alimentation disponible est adéquat et conforme aux prescriptions de tous les codes et règlements nationaux et locaux en vigueur.

Caractéristiques de la source d'électricité nécessaire :

- 120 V, 60 Hz, CA seulement, fusible de 15 ou 20 A.
- Conducteurs de cuivre seulement.

Nous recommandons :

- Fusible temporisé ou disjoncteur.

- Alimentation par un circuit distinct.

Raccordement direct du lave-vaisselle :

- Utiliser un câble flexible à conducteurs de cuivre, avec gaine métallique ou non métallique et conducteur de raccordement à la terre, qui satisfait aux exigences des codes et règlements locaux en vigueur.
- Utiliser le serre-câble fourni avec le boîtier de raccordement de la maison, ou installer un serre-câble (homologation UL/CSA) sur le boîtier de raccordement de la maison. Dans le cas de l'utilisation de conduit, utiliser un connecteur de conduit (homologation UL/CSA).

Branchement de l'appareil à l'aide d'un cordon d'alimentation :

- Utiliser le cordon d'alimentation (pièce n° 4317824) conçu pour l'utilisation avec un lave-vaisselle; cet ensemble comporte :
 - Cordon d'alimentation à 3 conducteurs de calibre 16, avec fiche de branchement à 3 broches, pour liaison à la terre - homologation UL (Voltex, Inc.).
 - Serre-câble de 7/8" (Neer, C-500).
 - 3 connecteurs de fils
 - Passe-fil (pièce n° 302797).

Pour l'installation du cordon d'alimentation, exécuter les instructions fournies avec l'ensemble.

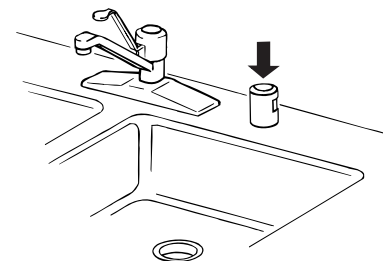
- La fiche du cordon d'alimentation doit être branchée sur une prise de courant de même configuration, à 3 alvéoles, reliée à la terre, installée dans le placard à côté de l'espace d'installation du lave-vaisselle. La prise de courant doit satisfaire les prescriptions de tous les codes et règlements locaux en vigueur.

IMPORTANT : Si on envisage l'installation d'un broyeur à déchets, un circuit électrique additionnel est également nécessaire - 120 V, 60 H, CA seulement, fusible de 15 ou 20 A seulement.

Exigence d'évacuation

- Utiliser le tuyau d'évacuation neuf fourni avec l'appareil. Si la longueur de ce tuyau n'est pas suffisante, utiliser un autre tuyau d'évacuation avec longueur maximale de 12 pi (3,7 m), conforme aux prescriptions de la norme AHAM/IAPMO, résistant à la chaleur et au détergent, et compatible avec le raccord de connexion de 1" (2,5 cm) du lave-vaisselle.
- Connecter le tuyau d'évacuation sur un raccord en T ou à l'entrée du broyeur à déchets au-dessus du siphon du circuit d'évacuation de la maison et à au moins 20" (50,8 cm) au-dessus du plancher. On recommande de former une boucle avec le tuyau d'évacuation (arrimage avec une attache de plastique sous le plan de travail), ou de connecter le tuyau d'évacuation à un brise-vide.

Brise-vide



- Si le tuyau d'évacuation doit être raccordé au circuit d'évacuation de la maison à moins de 20" (50,8 cm) au-dessus du sous-sol ou du sol, utiliser un brise-vide.
- Utiliser des raccords de diamètre interne de 1/2" (1,3 cm) ou plus.

INSTRUCTIONS D'INSTALLATION

⚠ AVERTISSEMENT



Risque de choc électrique

Interrompre l'alimentation électrique avant d'installer le lave-vaisselle (au niveau du tableau de distribution - fusible ou disjoncteur)

Le non-respect de cette instruction peut causer un décès ou un choc électrique.

1. Déconnecter la source de courant électrique.
2. Fermer l'arrivée d'eau.

Déballage du lave-vaisselle

⚠ AVERTISSEMENT

Risque du poids excessif

Utiliser deux personnes ou plus pour déplacer et installer le lave-vaisselle.

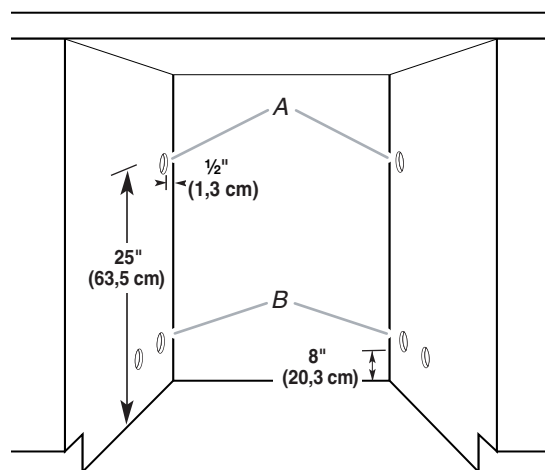
Le non-respect de cette instruction peut causer une blessure au dos ou d'autre blessure.

1. Avant d'ouvrir l'emballage du produit, lire tous les renseignements utiles mentionnés sur l'emballage.
2. Enlever les matériaux d'emballage, le ruban adhésif et le film de protection du lave-vaisselle. Retirer le sachet de pièces qui se trouve à l'intérieur du lave-vaisselle.

Aménagement de la cavité d'encastrement du placard

1. Pour s'assurer que les distances minimales de dégagement sont respectées :
 - Mesurer la distance entre le plan de travail du placard et le sol et veiller à ce que la hauteur minimale soit de 33 $\frac{3}{4}$ " (85,7 cm).
 - Mesurer la distance entre la surface avant du placard et le mur arrière et veiller à ce que la profondeur minimale soit de 24" (61 cm).
 - Mesurer la distance entre le côté gauche et le côté droit de la cavité d'encastrement et veiller à ce que la largeur minimale soit de 24" (61 cm).

2. Percer des trous de 1 $\frac{1}{2}$ " (3,8 cm) de diamètre pour les tuyaux d'arrivée d'eau et d'évacuation, et pour le câblage électrique tel qu'illustré. Les trous doivent se trouver à 1 $\frac{1}{2}$ " (1,3 cm) du mur arrière.



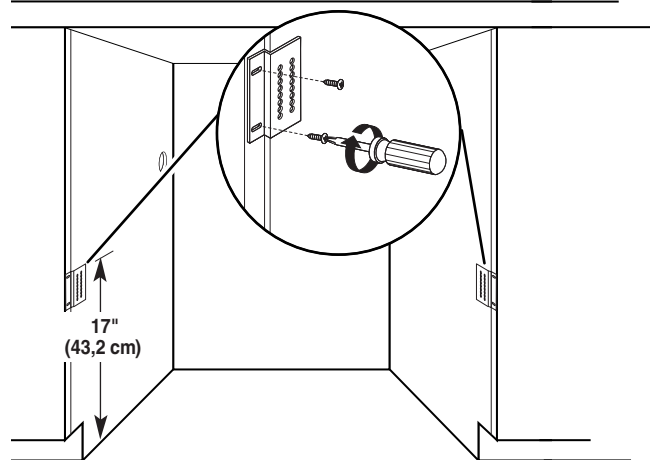
A. Choisir entre un acheminement de tuyau d'arrivée d'eau par la gauche ou par la droite.

B. Choisir entre un acheminement du câblage électrique et de vidange par la gauche ou par la droite.

Placard de bois : poncer la rive du trou percé pour produire une surface lisse.

Placard métallique : couvrir le trou avec l'œillet (pièce numéro 302797, fournie avec la trousse du cordon).

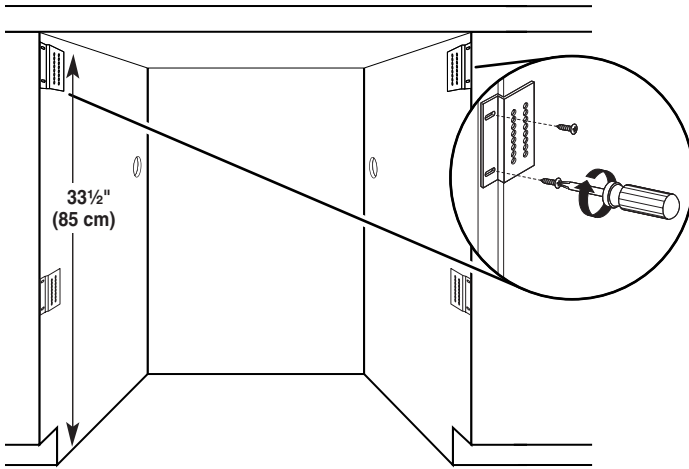
3. Fixer les brides de montage à 17" (43,2 cm) du sol à l'aide des vis fournies. Si nécessaire, percer des avant-trous de 1/8" dans le placard.



4. Déterminer la méthode de fixation à utiliser pour fixer le lave-vaisselle au comptoir.

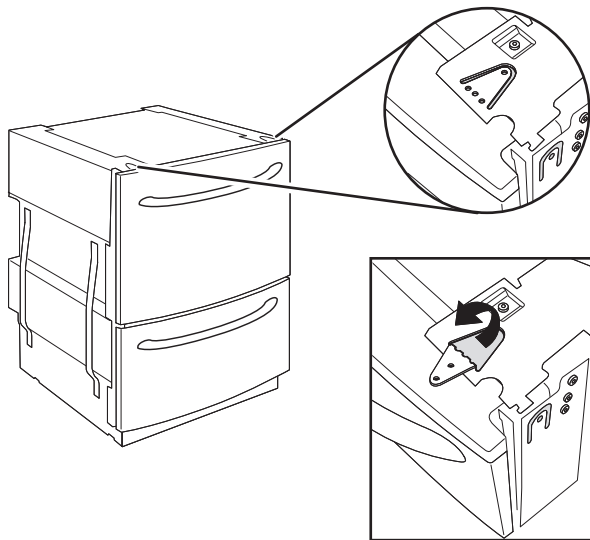
Option 1 : Installation du plan de travail en matériau robuste

- Fixer le second lot de brides de montage à 33½" (85 cm) du sol. Si nécessaire, percer des avant-trous de ⅛" dans le placard.



Option 2 : Plan de travail en bois

- Préparer le lave-vaisselle - rabattre les pattes situées à l'avant/au sommet - voir l'illustration.



Préparation du lave-vaisselle

⚠ AVERTISSEMENT



Risque de basculement

Ne pas ouvrir le tiroir du lave-vaisselle jusqu'à ce qu'il soit placé à l'intérieur de l'ouverture du placard.

Si le lave-vaisselle ne se trouve pas dans l'ouverture du placard, ouvrir lentement le tiroir pendant que quelqu'un saisit l'arrière du lave-vaisselle.

Le non-respect de ces instructions peut causer un décès ou une blessure grave.

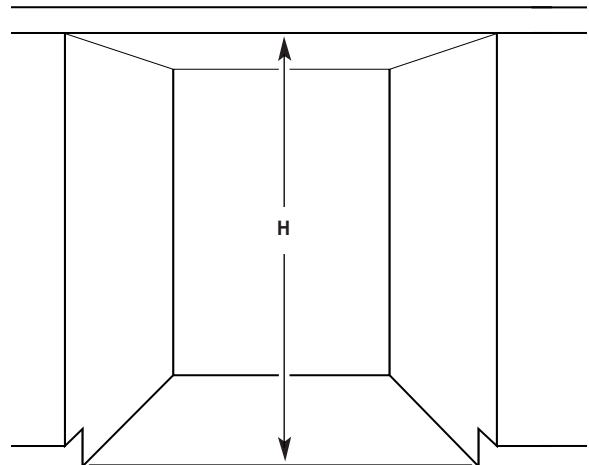
⚠ AVERTISSEMENT

Risque du poids excessif

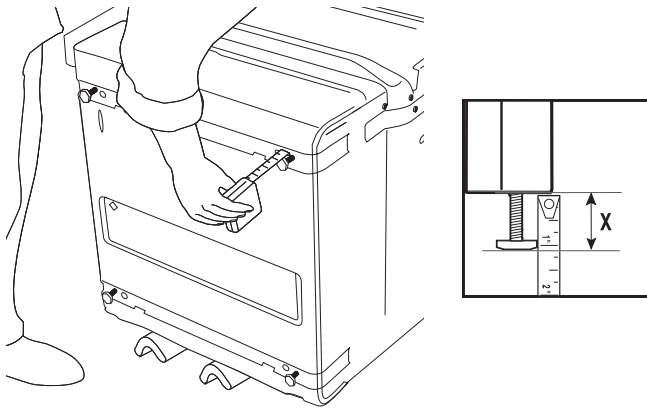
Utiliser deux personnes ou plus pour déplacer et installer le lave-vaisselle.

Le non-respect de cette instruction peut causer une blessure au dos ou d'autre blessure.

1. Mesurer la hauteur libre de l'espace d'installation, entre le plancher et la face inférieure du plan de travail.



- En utilisant deux personnes ou plus, placer l'emballage des coins du lave-vaisselle sur le sol et coucher le lave-vaisselle sur le dos.
- Ajuster la longueur de déploiement des pieds, selon la hauteur libre de l'espace d'installation - voir le tableau ci-dessous.



H	: X	H	: X
33 7/8" (86 cm)	: 0"	34 1/2" (87,6 cm)	: 5/8" (1,6 cm)
34" (86,3 cm)	: 1/8" (0,3 cm)	34 5/8" (87,9 cm)	: 3/4" (1,9 cm)
34 1/8" (86,7 cm)	: 1/4" (0,6 cm)	34 3/4" (88,3 cm)	: 7/8" (2,2 cm)
34 1/4" (87 cm)	: 3/8" (1 cm)	34 7/8" (88,6 cm)	: 1" (2,5 cm)
34 3/8" (87,3 cm)	: 1/2" (1,3 cm)	35" (88,9 cm)	: 1 1/8" (2,9 cm)

- Redresser le lave-vaisselle à la position verticale.

Installation du câblage électrique

⚠ AVERTISSEMENT



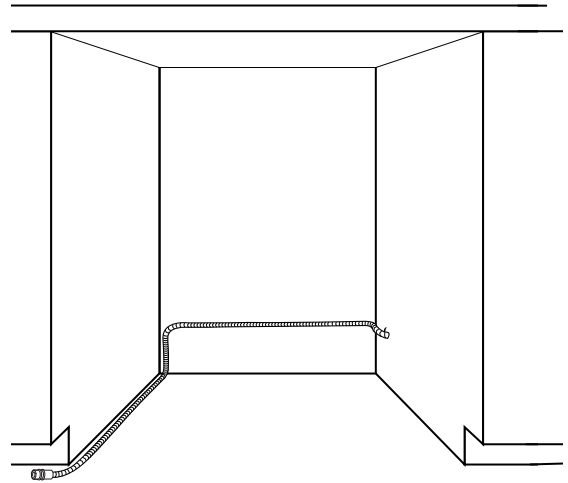
Risque de choc électrique

Interrompre l'alimentation électrique avant d'installer le lave-vaisselle (au niveau du tableau de distribution - fusible ou disjoncteur)

Le non-respect de cette instruction peut causer un décès ou un choc électrique.

Pour l'installation du câblage électrique jusqu'à l'appareil, observer les dispositions de tous les codes et règlements nationaux et locaux.

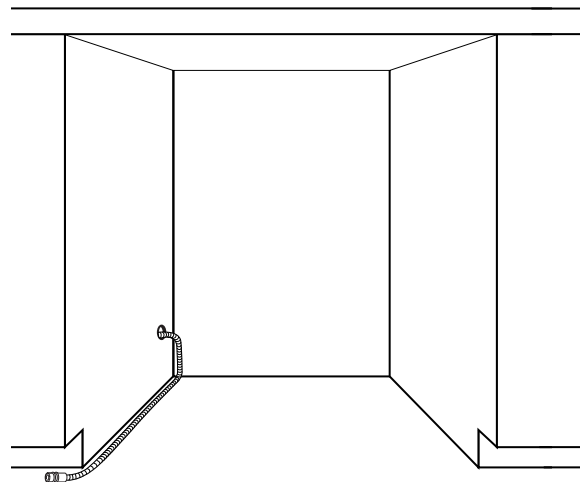
Option 1 : Acheminement du câblage électrique par le côté droit



Faire passer le câblage à travers un trou de 1 1/2" (3,81 cm) placé à 8" (20,32 cm) au-dessus du sol.

Après avoir fait passer le câble électrique à travers un trou sur le côté droit, fixer le câble à l'arrière de l'espace d'installation à 8" (20,32 cm) au-dessus du sol. Poursuivre l'installation du câble le long du côté gauche de l'espace d'installation, jusqu'à l'avant de l'espace d'installation.

Option 2 : Acheminement du câblage électrique par le côté gauche

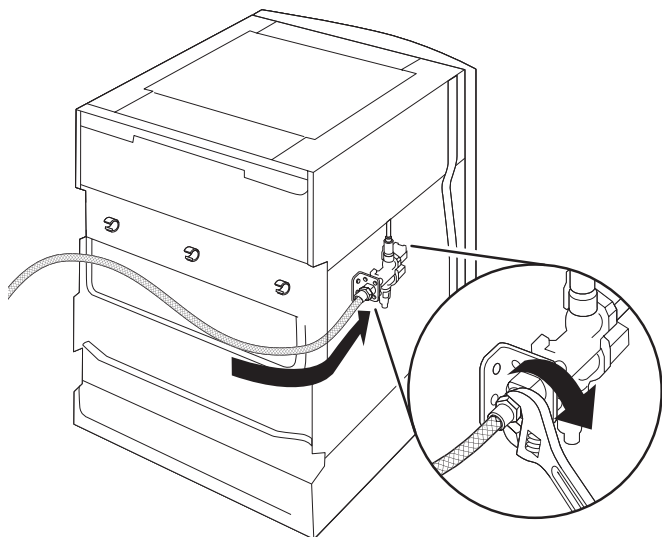


Faire passer le câble à travers un trou de 1 1/2" (3,81 cm) placé à 8" (20,32 cm) au-dessus du sol.

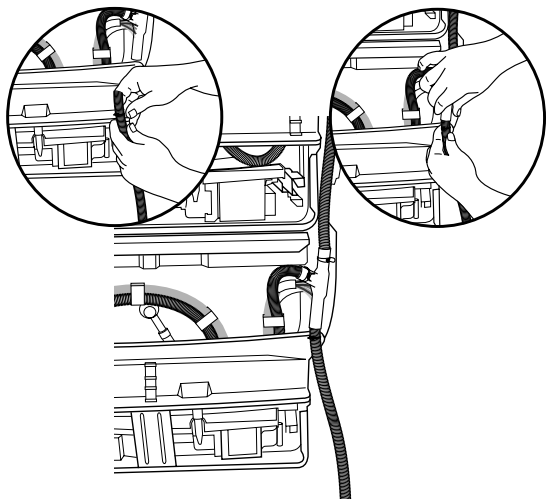
Après avoir fait passer le câble électrique à travers un trou sur le côté gauche, fixer le câble le long du côté gauche de l'espace d'installation, jusqu'à l'avant de l'espace d'installation.

Acheminement du conduit d'alimentation en eau et du tuyau de vidange

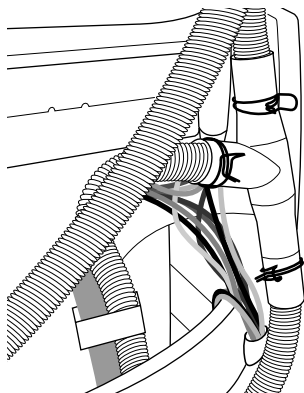
1. Raccorder le conduit d'alimentation en eau au robinet d'arrivée d'eau sur le lave-vaisselle.



2. Faire glisser la bride sur le tuyau de vidange puis enfoncer le tuyau dans le raccord en "Y" jusqu'à ce qu'il se fixe. Plusieurs "clics" se feront entendre.

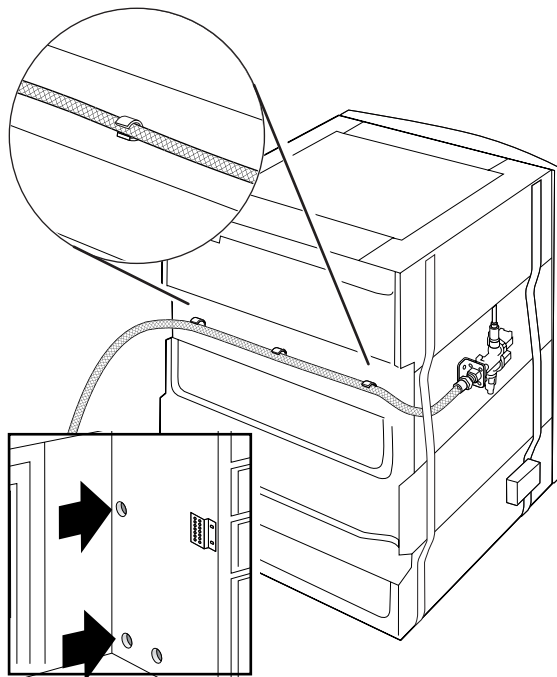


3. Faire glisser la bride en position sur le raccord en "Y".

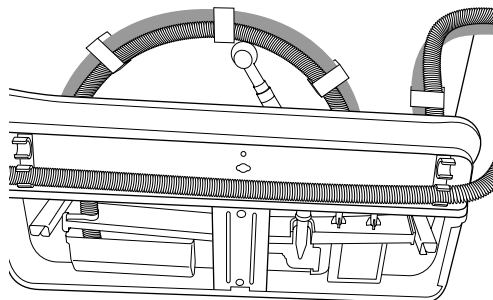


Option 1 : Accès aux raccords électriques par la droite

- Pour un acheminement par la droite, placer la canalisation d'alimentation en eau dans les attaches.

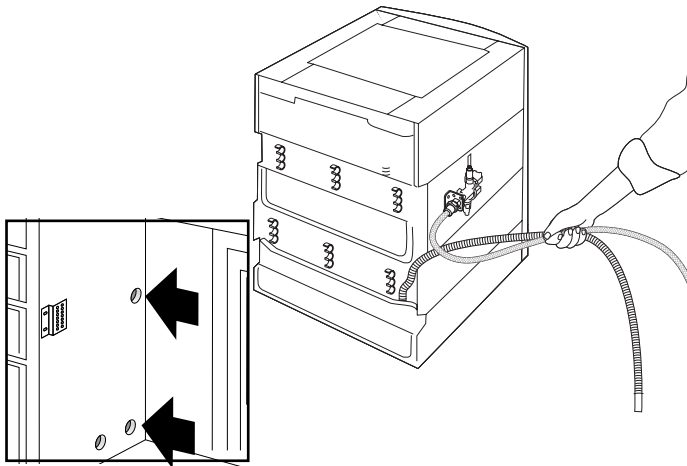


- Acheminer le tuyau de vidange vers les attaches du fond de l'arrière de l'appareil.

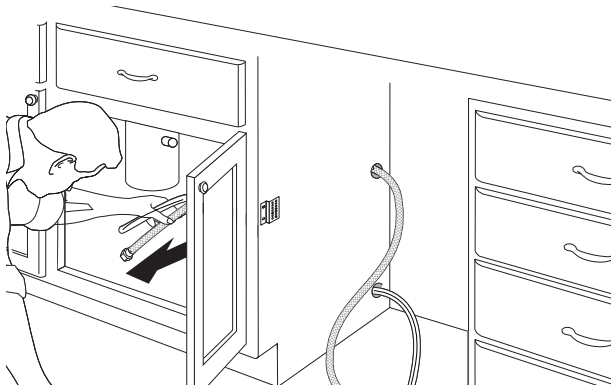


Option 2 : Accès aux raccordements électriques par la gauche

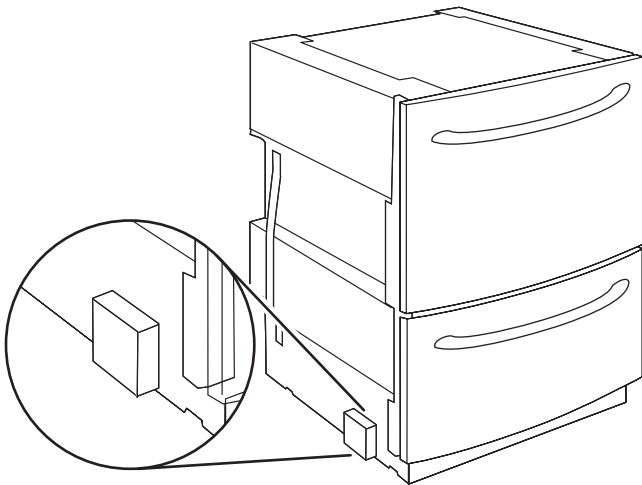
- Pour un acheminement par la gauche, placer le tuyau dans la bride sur le côté inférieur droit du lave-vaisselle.



- Acheminer la canalisation d'alimentation en eau et les tuyaux de vidange jusqu'à l'intérieur du placard.

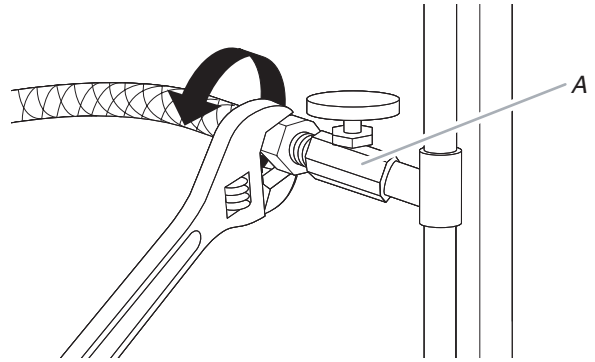


- Faire glisser le lave-vaisselle jusqu'à mi-chemin dans la cavité d'encastrement. L'accès au boîtier de connexion doit être laissé libre.



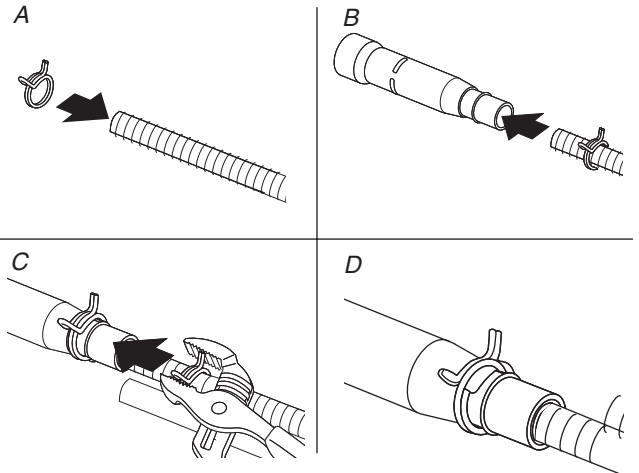
Raccordement du conduit d'alimentation en eau et des tuyaux de vidange

1. Connecter le tuyau d'arrivée d'eau au robinet d'arrêt sous l'évier.



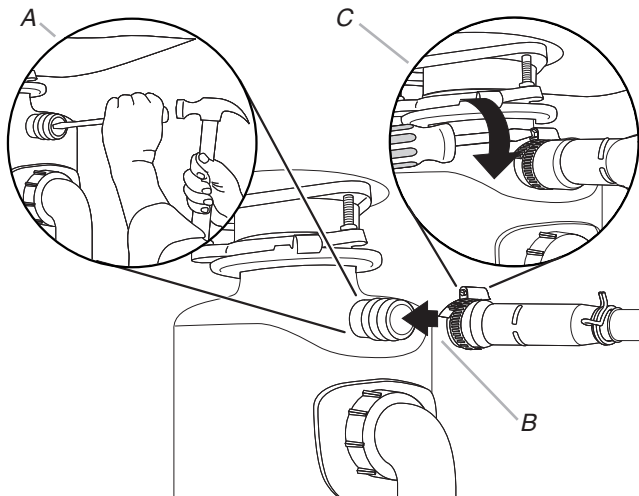
A. Arrivée d'eau chaude

2. Enfiler les brides sur les tuyaux d'évacuation (figure A). Ne pas couper les tuyaux d'évacuation.
3. Engager complètement les tuyaux sur les branches du raccord du circuit d'évacuation (figure B); on doit entendre plusieurs "clics".
4. Placer la bride de serrage à la position appropriée (figures C et D).



5. Connecter le tuyau d'évacuation - utiliser l'une des options suivantes :

Option 1 : Installation avec broyeur à déchets/pas de brise-vide



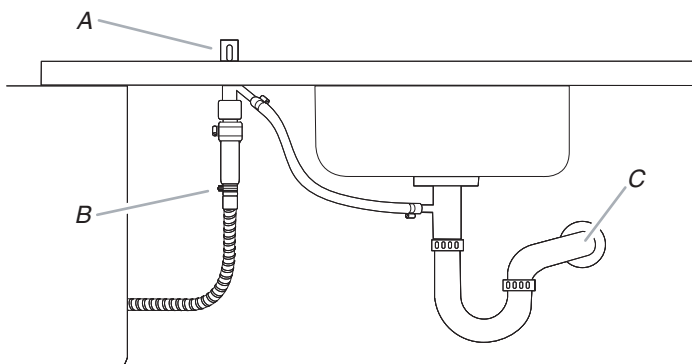
A. Pour une construction neuve, ôter l'opercule d'obturation du broyeur à déchets.

B. Raccorder le raccord du circuit d'évacuation au broyeur à déchets.

C. Serrer la bride.

REMARQUE : Ce raccordement doit être réalisé en amont du siphon du circuit d'évacuation et à au moins 20" (50,8 cm) au-dessus du plancher de l'espace d'installation du lave-vaisselle. On recommande de lover le tuyau d'évacuation et de le fixer solidement sur la face inférieure du plan de travail.

Option 2 : Installation sans broyeur à déchets/avec brise-vide

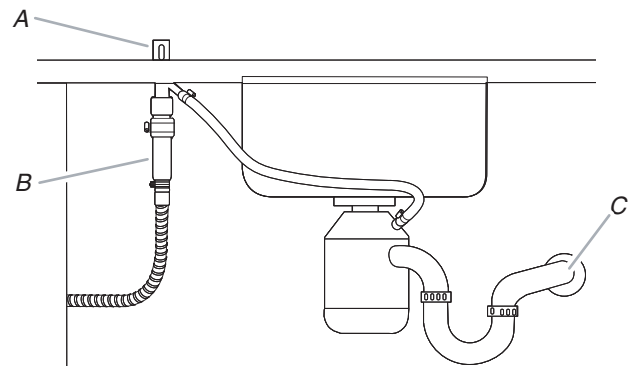


A. Brise-vide

B. Raccord du circuit d'évacuation

C. Circuit d'évacuation de la maison

Option 3 : Installation avec broyeur à déchets et brise-vide

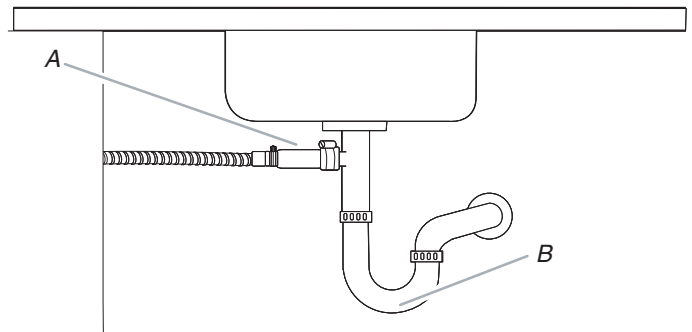


A. Brise-vide

B. Raccord du circuit d'évacuation

C. Circuit d'évacuation de la maison

Option 4 : Installation sans broyeur à déchets/sans brise-vide



A. Raccord du circuit d'évacuation

B. Circuit d'évacuation de la maison

REMARQUES :

- Raccorder le raccord du circuit d'évacuation au circuit d'évacuation de la maison - utiliser la bride de tuyau fournie.
- Ce raccordement doit être réalisé en amont du siphon du circuit d'évacuation et à au moins 20" (50,8 cm) au-dessus du plancher de l'espace d'installation du lave-vaisselle. On recommande de lover le tuyau d'évacuation et de le fixer solidement sur la face inférieure du plan de travail.

6. Ouvrir l'arrivée d'eau; vérifier l'absence de fuites.

Raccordement du circuit électrique

⚠ AVERTISSEMENT

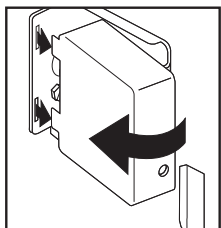
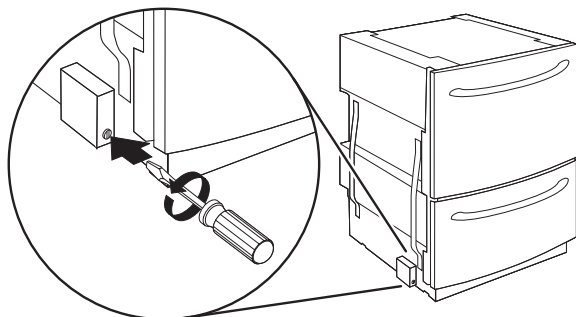


Risque de choc électrique

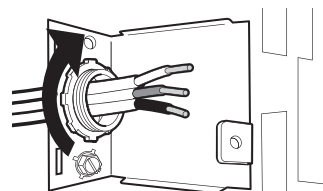
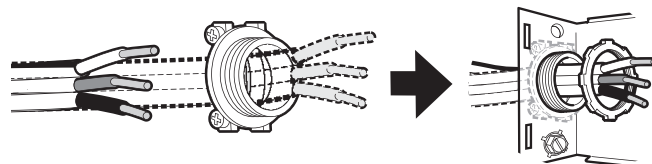
Interrompre l'alimentation électrique avant d'installer le lave-vaisselle (au niveau du tableau de distribution - fusible ou disjoncteur)

Le non-respect de cette instruction peut causer un décès ou un choc électrique.

1. Ôter la vis fixant le couvercle du boîtier de raccordement électrique. Ôter le couvercle.



2. Insérer les conducteurs électriques à travers le serre-câble; fixer le serre-câble sur la plaque du boîtier de raccordement.



⚠ AVERTISSEMENT



Risque de choc électrique

Relier le lave-vaisselle à la terre d'une méthode électrique.

Brancher le fil relié à la terre au connecteur vert relié à la terre dans la boîte de la borne.

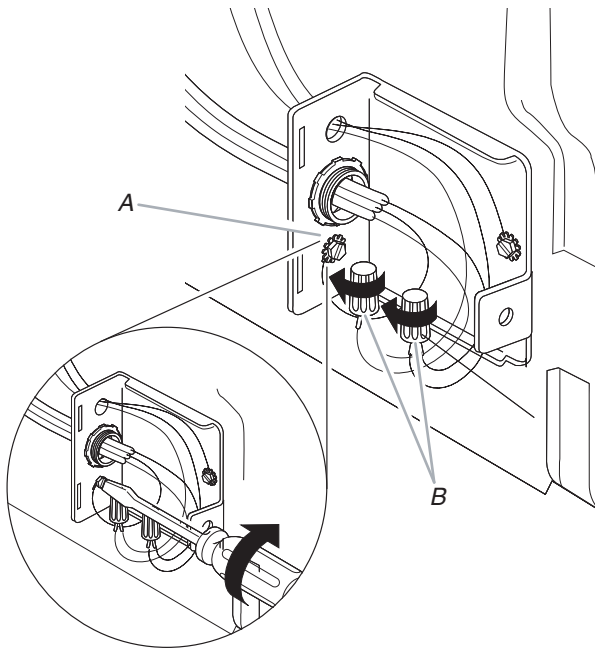
Ne pas utiliser un câble de rallonge.

Le non-respect de ces instructions peut causer un décès, un incendie ou un choc électrique.

3. Raccorder les conducteurs à l'aide de connecteurs de fils de taille appropriée pour le raccordement direct des conducteurs du câble et des conducteurs de calibre 16 du lave-vaisselle, comme suit.

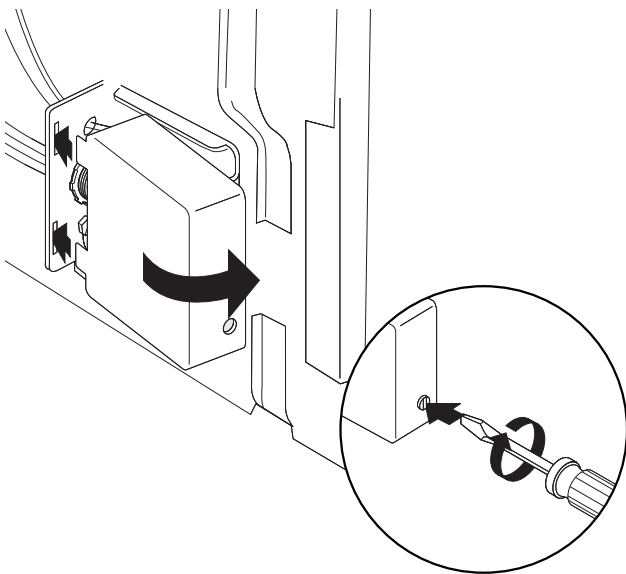
Conducteur d'alimentation :		Conducteur dans le boîtier de connexion :
Blanc	↔	Blanc
Noir	↔	Noir
Conducteur de liaison à la terre	↔	Vis de liaison à la terre

- Fixer le conducteur de liaison à la terre sous la vis verte de liaison à la terre.



- A. Fixer le conducteur de liaison à la terre sous la vis verte de liaison à la terre.
 B. Connecter ensemble les conducteurs blancs et les conducteurs noirs.

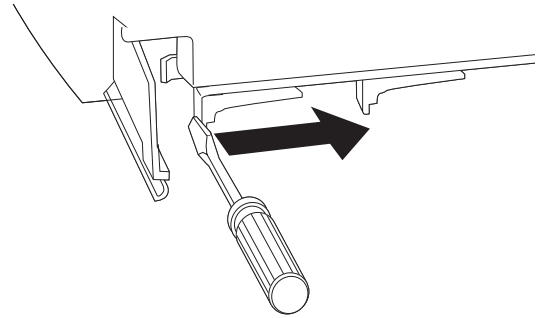
- Réinstaller le couvercle du boîtier de raccordement électrique. Veiller à ce que tous les conducteurs soient bien placés à l'intérieur du boîtier de connexion.



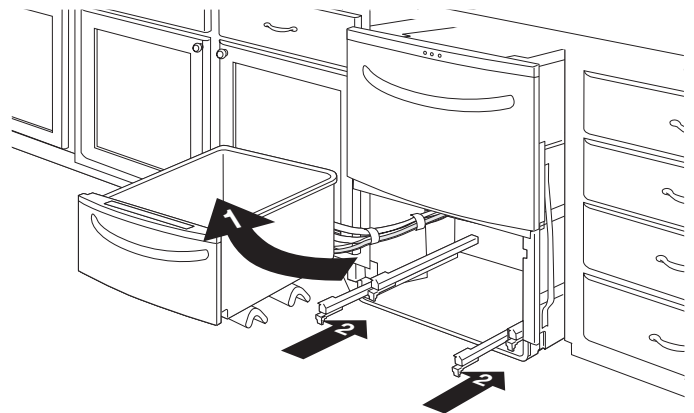
REMARQUE : Ne pas brancher dans une prise avant d'en avoir reçu l'instruction.

Installation des pièces de garniture; établissement de l'aplomb du lave-vaisselle

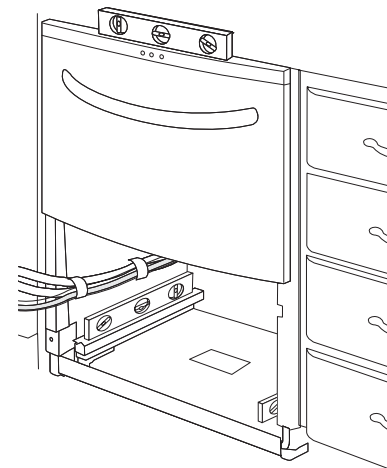
- Ouvrir le tiroir inférieur de l'appareil.
- Pousser les agrafes et faire glisser les glissières vers l'arrière, de 5" (12,7 cm).



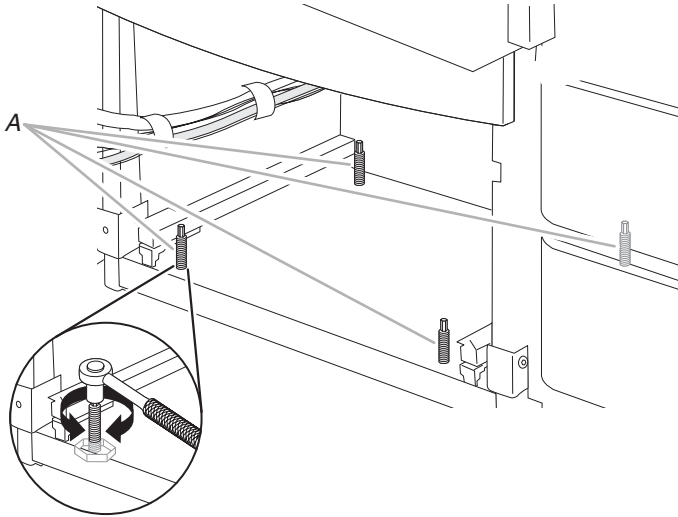
- Soulever le tiroir pour le séparer des glissières. Placer le tiroir à gauche sur la protection. Insérer les glissières dans le lave-vaisselle.



- Faire glisser le lave-vaisselle jusqu'à sa position de service finale dans l'espace d'installation entre les placards. Vérifier que les tuyaux et le câblage électrique ne sont pas déformés/écrasés.
- Contrôler l'aplomb transversal : placer un niveau au sommet du tiroir. Contrôler l'aplomb avant/arrière : placer un niveau sur une glissière.

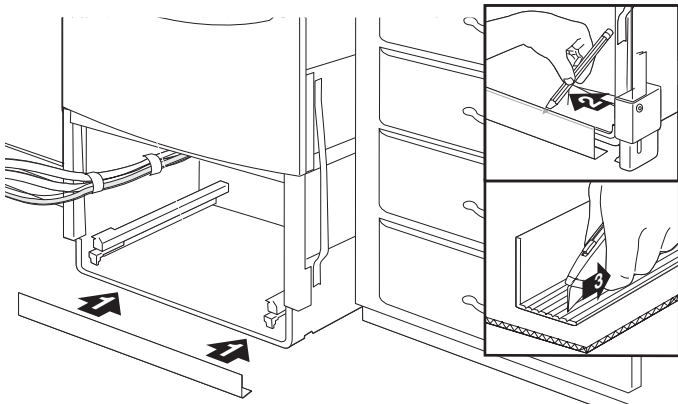


6. Établir l'aplomb du lave-vaisselle : ajuster la longueur de déploiement des pieds—utiliser une douille de $\frac{3}{16}$ ".

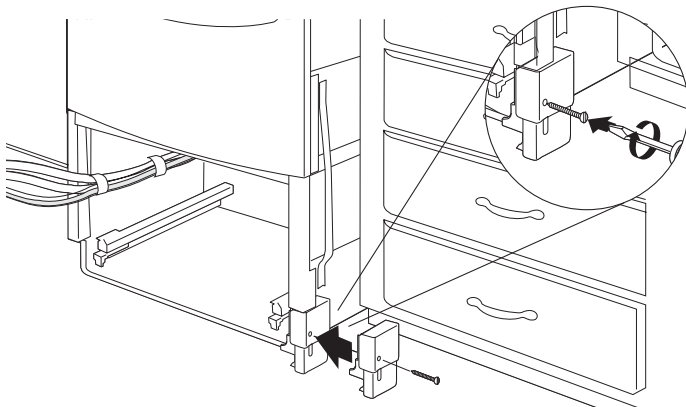


A. Réglage du déploiement des pieds

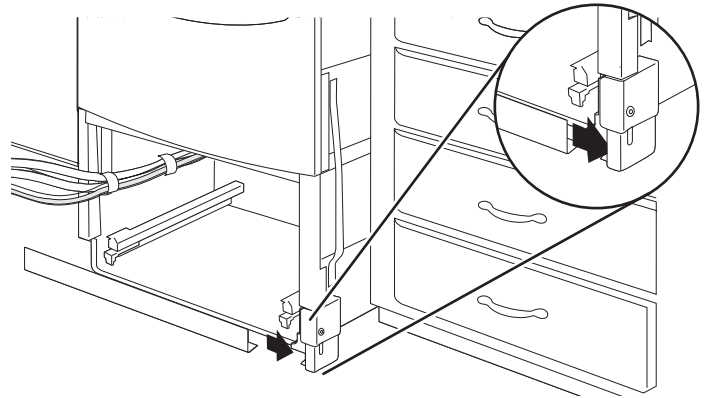
7. Placer la cornière de garniture sur le sol et marquer sur la garniture le niveau correspondant au sommet du rebord du châssis. Choisir la rainure la plus proche du repère tracé. Si le repère est entre deux rainures, choisir la rainure pour laquelle la cornière de garniture sera la plus courte. Sur une surface protégée, couper la cornière de garniture au niveau de la rainure choisie. Tirer le lave-vaisselle pour le faire sortir d'environ 6" (15,24 cm) de l'encastrement.



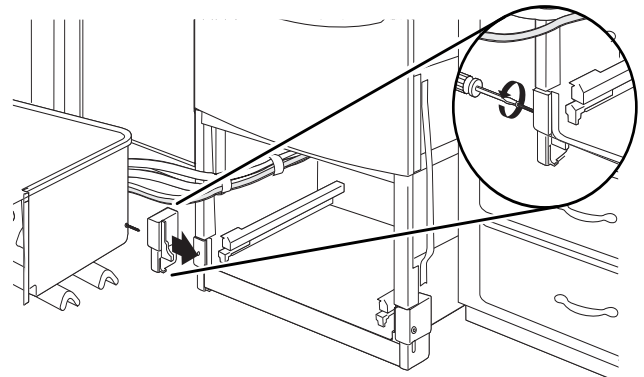
8. Fixer la bride de la cornière de plinthe sur le châssis.



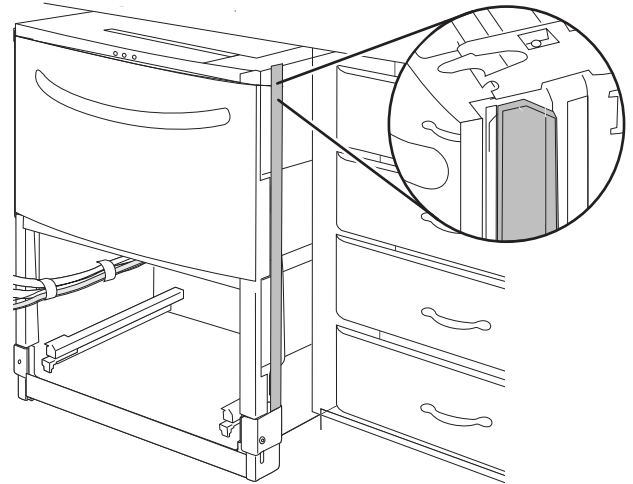
9. Insérer la cornière de garniture (plinthe) dans la bride de plinthe.



10. Fixer la bride de la cornière de plinthe du côté opposé.



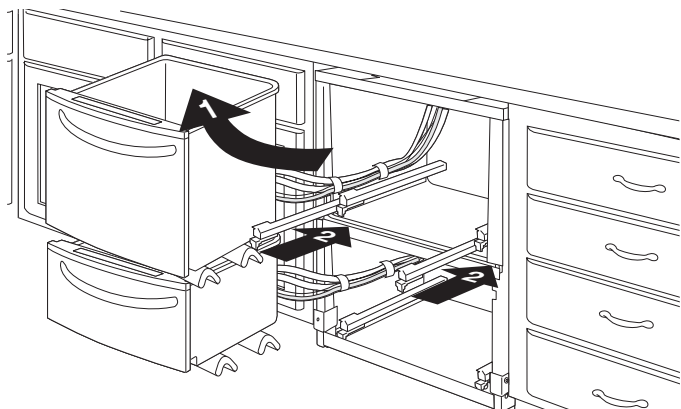
11. Installer une cornière de garniture latérale flexible de chaque côté—voir l'illustration.



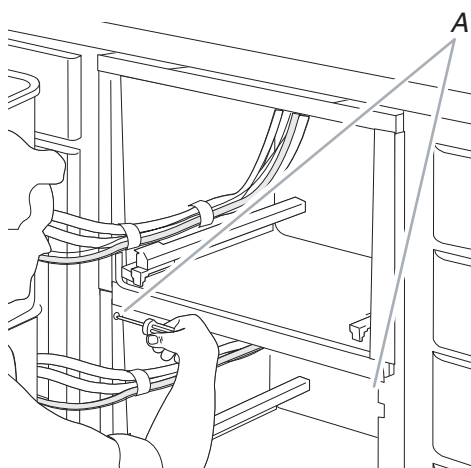
12. Faire glisser le lave-vaisselle dans la cavité d'encastrement jusqu'à sa position finale. Inspecter le tuyau de vidange et le câblage électrique pour vérifier qu'ils ne sont pas déformés.

Arrimage du lave-vaisselle

1. Ôter le tiroir supérieur (même processus que pour le tiroir inférieur); placer le tiroir supérieur sur le tiroir inférieur, en appui sur des cornières de carton séparant les deux tiroirs.



2. Assujettir le lave-vaisselle aux brides de montage inférieures (installées précédemment sur les placards).

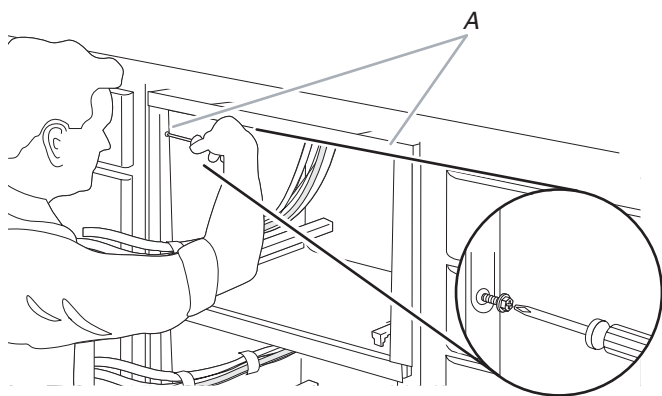


A. Assujettir le lave-vaisselle aux brides de montage inférieures.

3. Assujettir le lave-vaisselle aux brides de montage supérieures.

Option 1 : Plan de travail en matériau dur

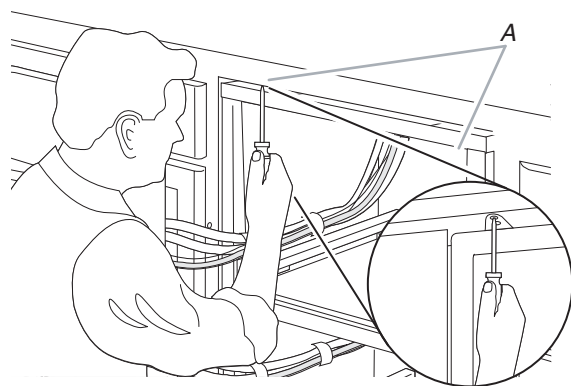
Assujettir le lave-vaisselle aux brides de montage latérales (installées précédemment sur les parois des placards).



A. Assujettir le lave-vaisselle aux brides de montage latérales.

Option 2 : Plan de travail en bois

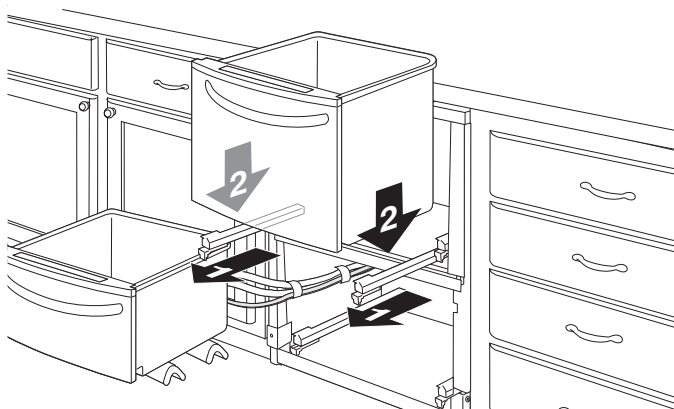
Assujettir le lave-vaisselle au plan de travail—utiliser les pattes de montage qui ont été précédemment rabattues au sommet du lave-vaisselle.



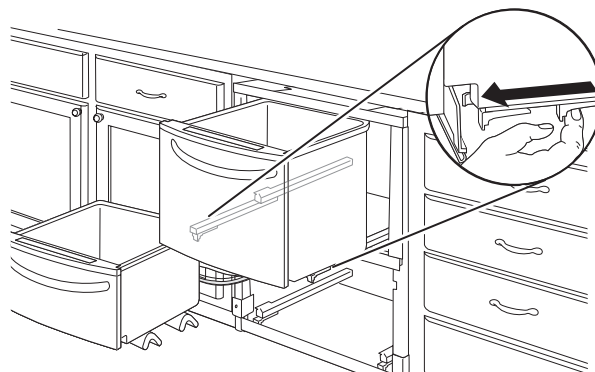
A. Assujettir le lave-vaisselle au plan de travail—utiliser les pattes de montage qui ont été précédemment rabattues au sommet du lave-vaisselle.

Achever l'installation

1. Déployer les glissières du tiroir supérieur; installer le tiroir supérieur sur les glissières.



2. Déployer les glissières jusqu'à la position d'emboîtement.



3. Pousser complètement le tiroir supérieur dans son logement; répéter le processus ci-dessus pour le tiroir inférieur.
4. Dans le placard sous l'évier, former une boucle avec l'excès de longueur du tuyau d'évacuation. Utiliser l'attache pour former et immobiliser la boucle.

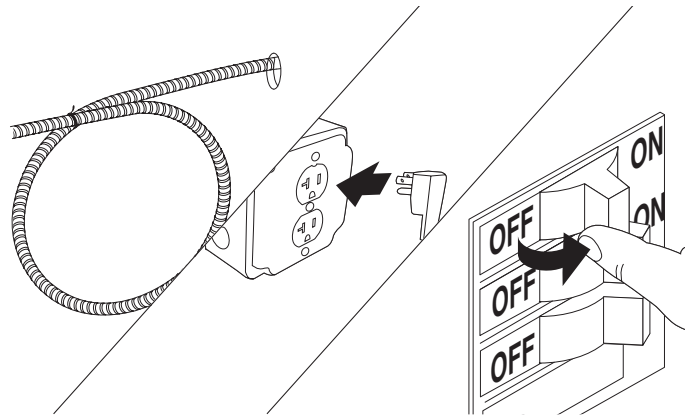
⚠️ AVERTISSEMENT



Risque de choc électrique

- Brancher sur une prise à 3 alvéoles reliée à la terre.
- Ne pas enlever la broche de liaison à la terre.
- Ne pas utiliser un adaptateur.
- Ne pas utiliser un câble de rallonge.
- Le non-respect de ces instructions peut causer un décès, un incendie ou un choc électrique.

5. Brancher le lave-vaisselle ou reconnecter la source de courant électrique.



6. Sélectionner le programme Rinse Only (rinçage seulement) et appuyer sur le bouton START/RESUME (mise en marche/reprise). Laisser le lave-vaisselle effectuer le processus de remplissage, rinçage et vidange de l'eau. Vérifier l'absence de fuite. Si des fuites sont détectées, resserrer les connexions concernées et répéter cette étape.

Si vous avez besoin d'assistance ou de service :

Consulter la section "Assistance ou service" des Instructions d'utilisation ou contacter le marchand chez qui vous avez acheté votre lave-vaisselle.

INSTRUCTIONS D'INSTALLATION DU PANNEAU PERSONNALISÉ

Panneaux des tiroirs personnalisés

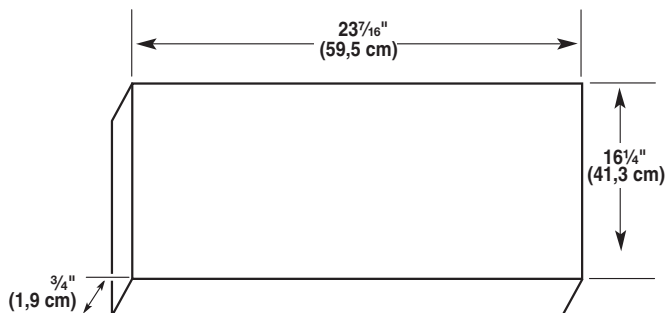
Si vous envisagez d'installer des panneaux personnalisés en bois, vous devrez les créer vous-même ou consulter un ébéniste ou un menuisier qualifié. Voir le dessin des dimensions pour les spécifications du panneau.

IMPORTANT :

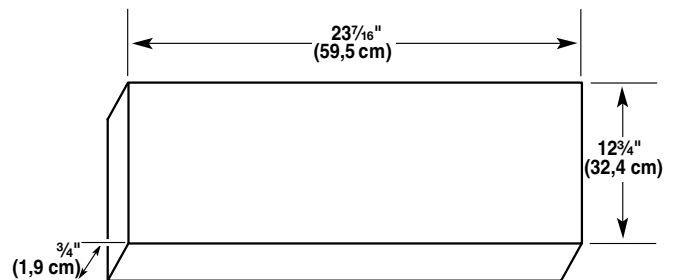
- L'épaisseur du panneau personnalisé doit être comprise entre $\frac{1}{2}$ " (1,3 cm) et $\frac{3}{4}$ " (1,9 cm).
- Respecter les dimensions indiquées pour la hauteur des panneaux personnalisés. Si la hauteur est supérieure à la valeur recommandée, le tiroir du lave-vaisselle, les placards ou le plan de travail risquent d'être endommagés.
- La largeur des panneaux personnalisés peut varier en fonction de la largeur de l'espace d'installation.

Dimensions du panneau personnalisé

Panneau du tiroir supérieur



Panneau du tiroir inférieur

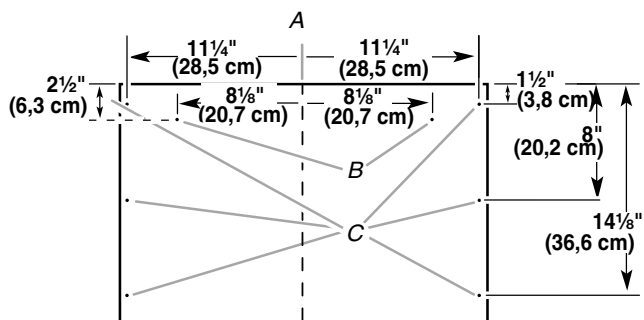


Installation des pièces de quincaillerie

Centrer les pièces de quincaillerie (de gauche à droite) sur le panneau personnalisé. Lors de l'installation des pièces de quincaillerie, veiller à ce que les vis de fixation soient en affleurement avec l'arrière de panneau personnalisé.

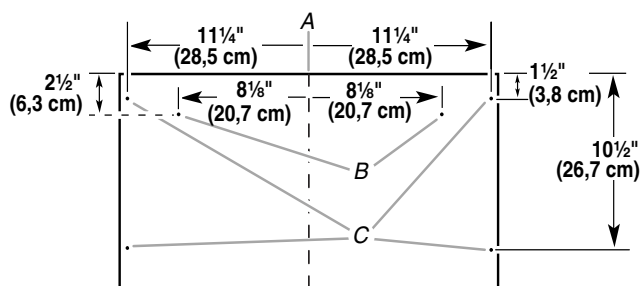
Préparation du panneau personnalisé

1. Placer le panneau personnalisé face vers le bas sur une surface propre et souple.
2. À l'aide d'un crayon, noter les points centraux pour les deux avant-trous du dispositif de fixation du panneau et les six avant-trous nécessaires pour le panneau.



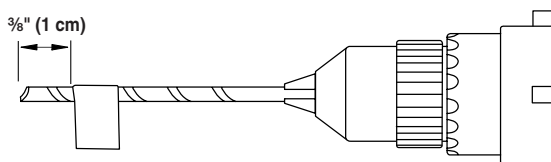
- A. Axe central
 B. Avant-trous pour le dispositif de fixation du panneau (2)
 C. Avant-trous (6)

3. Marquer les points centraux pour les deux avant-trous du dispositif de fixation du panneau et les quatre avant-trous nécessaires pour le panneau inférieur.



- A. Axe central
 B. Avant-trous pour le dispositif de fixation du panneau (2)
 C. Avant-trous (4)

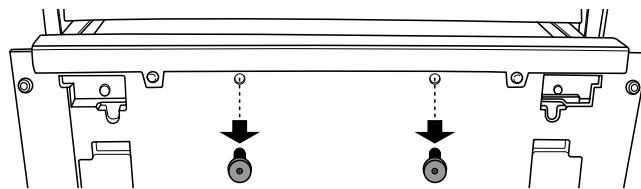
4. À l'aide d'un foret de 1/8", percer chaque trou à 3/8" (1 cm) de profondeur.



IMPORTANT : Ne pas percer à plus de 3/8" (1 cm) de profondeur ou vous risqueriez de percer à travers la face avant du panneau.

Installation des dispositifs de fixation du panneau

1. Ôter les deux dispositifs de fixation du panneau de la face de la porte interne du tiroir.

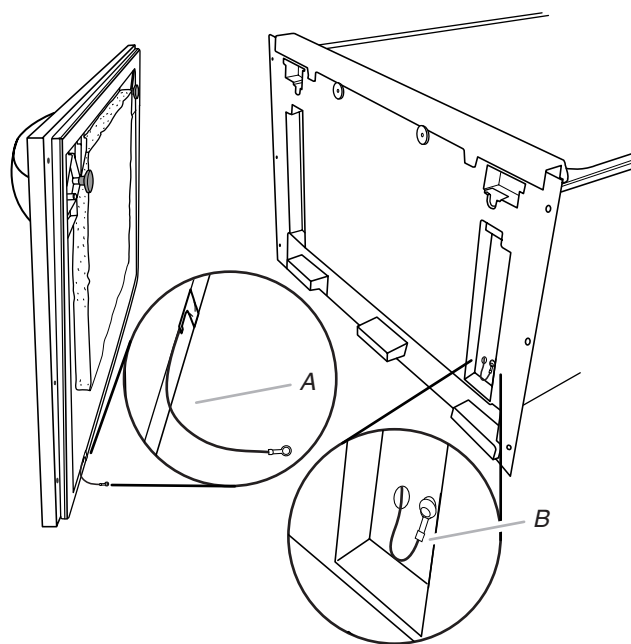


2. Visser les deux dispositifs de fixation du panneau dans les avant-trous percés à cet effet dans le panneau personnalisé.

Montage du panneau personnalisé

Panneau décoratif personnalisé seulement

1. Ôter le ruban adhésif du conducteur vert de liaison à la terre sur le panneau décoratif personnalisé. L'extrémité du conducteur vert de liaison à la terre est fixée sur le panneau décoratif personnalisé à l'usine.
2. Fixer la bague de connexion de l'extrémité du conducteur vert de liaison à la terre située sur le panneau décoratif personnalisé à la bague de connexion et à la vis de liaison à la terre situées sur le panneau intermédiaire du tiroir du lave-vaisselle.

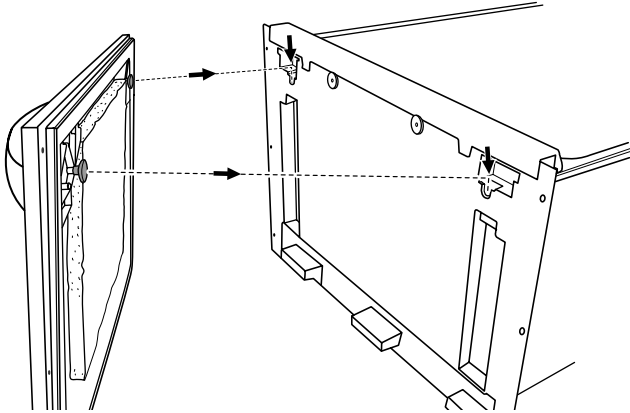


- A. Conducteur vert de liaison à la terre
 B. Vis de liaison à la terre

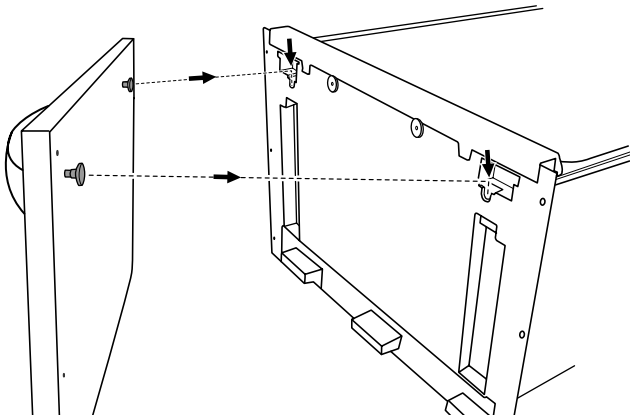
Panneau décoratif ou panneau en bois personnalisés

1. Monter le panneau personnalisé supérieur sur le tiroir en alignant les dispositifs de fixation du panneau avec les deux encoches en trou de serrure et insérer le panneau.

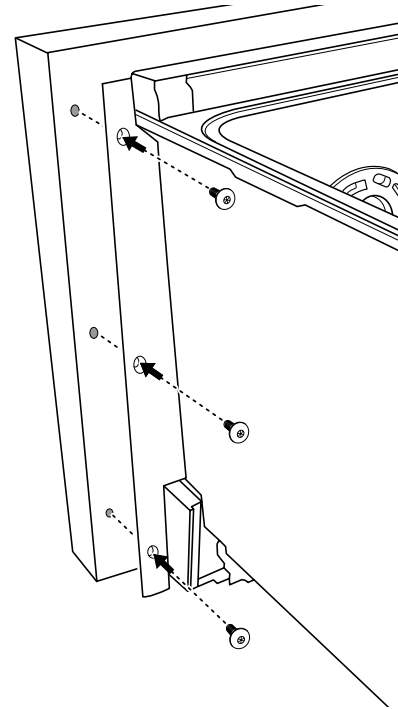
Panneau personnalisé



Panneau en bois personnalisé



2. Pour fixer le panneau personnalisé sur le tiroir, pousser le panneau personnalisé vers le bas jusqu'à ce que la partie supérieure du panneau personnalisé soit en affleurement avec la partie supérieure du tableau de commande.
3. À l'aide des vis fournies, fixer le panneau personnalisé sur la porte interne en vissant à travers la porte interne et dans les avant-trous de 1/8" (3,2 mm).



W10300220B

© 2010.

All rights reserved.

Todos los derechos reservados.

Tous droits réservés.

® Registered Trademark/TM Trademark of KitchenAid, U.S.A., KitchenAid Canada licensee in Canada

© Marca registrada/TM Marca de comercio de KitchenAid, U.S.A., usada en Canadá bajo licencia de KitchenAid Canada

© Marque déposée/TM Marque de commerce de KitchenAid, U.S.A., Emploi sous licence par KitchenAid Canada au Canada

Printed in U.S.A.

Impreso en EE.UU.

Imprimé aux É.-U.

2/10